

# MEDO Brand Air Blower

For aerobic sewage treatment system and aquatics

## Model

Compact Type

**LA-28B & LA-45B**

Medium Type

**LA-60B & LA-80B**

Large Type

**LA-100A & LA-120A**

Extra Large Type

**LAM-200**



Model  
LA-28B  
LA-45B



Model  
LA-60B  
LA-80B



**NEW**

Model  
LA-100A  
LA-120A



**NEW**

Model  
LAM-200

## Benefits include:

- Low noise
- Easy maintenance
- Unrivalled performance and lifetime
- Weatherproof case IP55
- Low running temperature
- No grounding work required

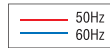
## Specifications

Model	LA-28B	LA-45B	LA-60B	LA-80B	LA-100A	LA-120A	LAM-200
Power Supply	120 V, 220 V, 230 V, 240 V AC						
Rated Frequency	50 Hz, 60 Hz						
Rated Pressure	0.11 bar (1.56 psig)		0.15 bar (2.13 psig)		0.18 bar (2.56 psig)		0.20 bar (2.84 psig)
Operating Pressure Range	0.05 – 0.2 bar (0.71 – 2.84 psig)				0.05–0.3 bar (0.71–4.27 psig)		
Rated Airflow	28 L/min	45 L/min	60 L/min	80 L/min	100 L/min	120 L/min	200 L/min
Power Consumption	29 W / 50 Hz 25.5 W / 60 Hz	47 W / 50 Hz 45 W / 60 Hz	64 W / 50 Hz 60 W / 60 Hz	86 W / 50 Hz 80 W / 60 Hz	100 W / 50 Hz	130 W / 50 Hz	215 W / 50 Hz
Weight	2.8 kg	3.0 kg	5.0 kg	5.3 kg	9.7 kg		12.3 kg

※1 The IP rating of LA-60B & LA-80B is IP54.

# MEDO Brand Air Blower

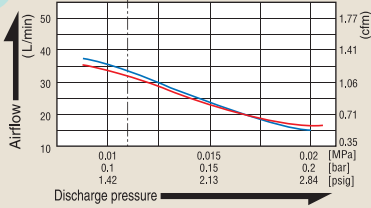
## Air Flow Characteristics



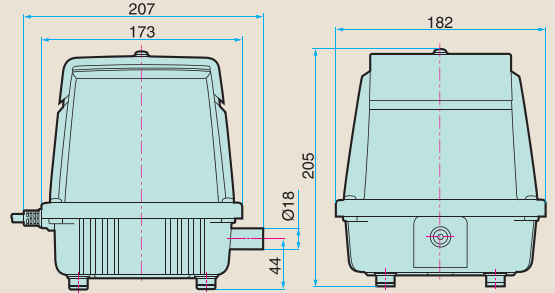
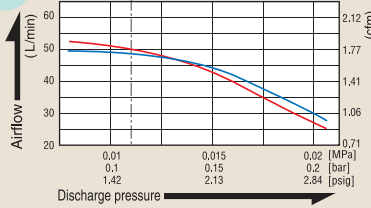
## Sketch Drawing and Dimensions Diagram (mm)

Compact Type

**LA-28B** Rated Pressure : 0.11 bar (1.56 psig)(0.011 MPa)

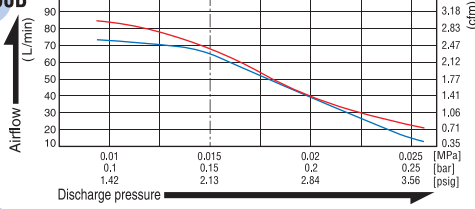


**LA-45B** Rated Pressure : 0.11 bar (1.56 psig)(0.011 MPa)

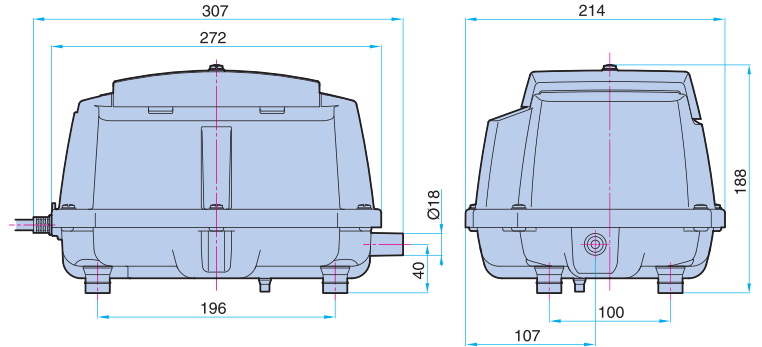
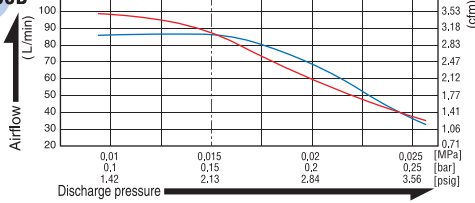


Medium Type

**LA-60B** Rated Pressure : 0.15 bar (2.13 psig)(0.015 MPa)

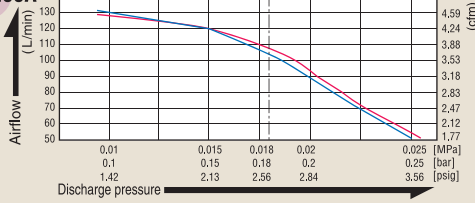


**LA-80B** Rated Pressure : 0.15 bar (2.13 psig)(0.015 MPa)

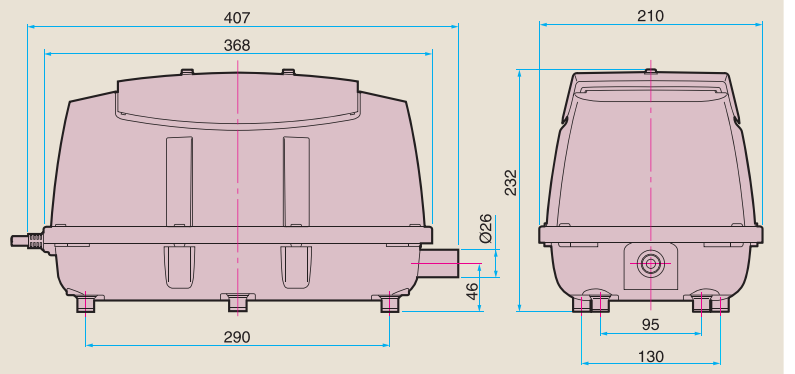
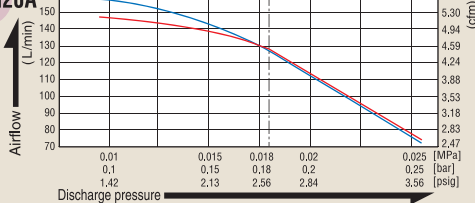


Large Type

**LA-100A** Rated Pressure : 0.18 bar (2.56 psig)(0.018 MPa)

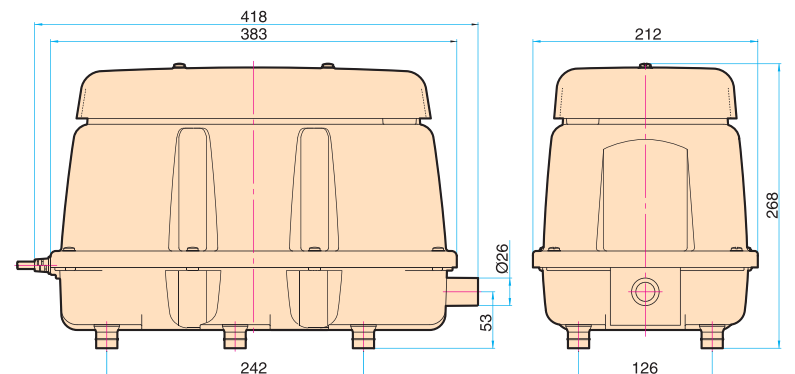
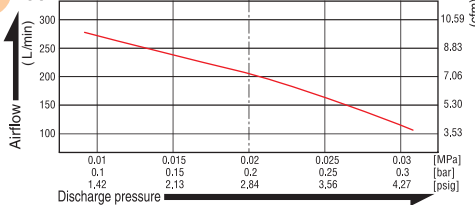


**LA-120A** Rated Pressure : 0.18 bar (2.56 psig)(0.018 MPa)



Extra Large Type

**LAM-200** Rated Pressure : 0.2 bar (2.84 psig)(0.02 MPa)



★ When Blowers are operated at operating pressure of 0.03MPa (0.3bar) or over and ambient temperature of 30°C or more, the thermal switch may be activated to halt the operation. In the event of this case lower the pressure to the operating pressure range described in the catalog for safety operation.

★ If the unit is to be run outside the operating pressure range, consult with your supplier for advice.

★ Specifications and designs are subject to change at any time without notice.



**Head Office**  
9-4, Nakaikegami 2-chome,  
Ohta-ku, Tokyo 146-8555 Japan  
Phone : +81-3-3755-1111 Fax : +81-3-3753-8791

▶ URL : [www.nitto-kohki.co.jp/e](http://www.nitto-kohki.co.jp/e) ▶ E-mail : [overseas@nitto-kohki.co.jp](mailto:overseas@nitto-kohki.co.jp)

DISTRIBUTED BY