

EASYPRO Water sampling station for swimming pools



Reliable and individual

Designed to meet your every need, the **EASYPRO** system monitors and controls a range of water parameters in your swimming pool. The **TOPAX[®] MC** multi-channel controller installed* in the **EASYPRO** subjects the water parameters to constant measurement, keeping them within the target range. It enables you to control a large number of actuators and permits easy and intuitive operation. The multi-coloured LEDs provide an optical warning if the water parameters leave the target range. Automatic continuous recording of the water parameters and depiction of their development permit simple diagnosis.

* Our standard versions are delivered with the **TOPAX[®] MC** multi-channel controller. Use the match code ordering system to order the **EASYPRO** water sampling stations without the **TOPAX[®] MC**.

General

- LED illumination of the fittings
- Monitoring and control of various water parameters
- Continual recording of the water parameters
- With cover
- Compact design
- Including **TOPAX[®] MC** multi-channel controller
- Individually-configurable system through modular structure
- Low water consumption
- Connector system for water connections

Technical data

EASYPRO		MB-C	ME-C	MC-C	MD-C	MP-C	MK-C	CS 2, 3, 4	MBB-C	MEE-C
Sample water requirement	l/h	30 approx.						45 approx.	2 x 30 approx.	
Sample water inflow and discharge	mm	PE hose 6/8 + stop valve with G1/4 connection								
Pressure resistance	bar	max. 6			max. 6, air gap required		max. 6	max. 6, air gap required	max. 6	
Pressure loss in the water sampling station	bar	0.3 approx.						2 x 0.3 approx.		
Mesh size sample water filter	µm	300								
Voltage supply		100 – 240 V AC, 50/60 Hz								
Power consumption	W	max. 20								
Analogue outputs for remote transmission		4 x 0/4 – 20 mA, working resistance max. 500 Ω								
Disturbance variable input	mA	0/4 – 20								
Interfaces		Ethernet TCP/IP or RS485 Modbus RTU (optional)								
Protection class		IP65 (electronic controller)								
Ambient temperature	°C	-5 to +45 (no exposure to direct sunlight)								
Control characteristic		P, PI, PID or PD behaviour, control direction selectable with disturbance variable feed forward, 2-side control selectable								
Measuring inputs (depending on version)										
Number of measuring inputs		2 ^a		3 ^b		4 ^c	3 ^b	2 ^a , 3 ^b , 4 ^c	2 x 2 ^a	
Free chlorine	Amperometric 3-electrode measuring cell with potentiostat (DMZ3.1)	mg/l	0 – 2 or 0 – 15 ^{d, h}	-	0 – 2 or 0 – 15 ^{d, h}	-	0 – 2 or 0 – 15 ^{d, h}	-	2 x 0 – 2 or 0 – 15 ^{d, h}	-
	Diaphragm-covered measuring cell	mg/l	-		0 – 10 ^e	-				
	CS120 excess chlorine measuring cell	mg/l	-					0 – 10 ^d	-	
Total chlorine	Diaphragm-covered measuring cell	mg/l	-		0 – 10 ^e	-	0 – 10 ^e	-		
pH value	pH single-rod measuring cell	pH	2 – 12 ^f or 0 – 14 ^f						2 x 2 – 12 ^f or 2 x 0 – 14 ^f	
Redox value	Redox single-rod measuring cell	mV	-	-1000 to +1000				-	2 x -1000 to +1000	
Conductivity conductive	Conductivity measuring (k=1)	mS/cm	-				0 – 2 ^g , 0 – 20 ^g or 0 – 100 ^g		-	
Temperature	Pt100	°C	5 – 45						2 x 5 – 45	
Output modules (depending on version)										
Number of output modules		up to 4								
Servomotor relay		2 x 230 V AC, 5 A (ohmic load)								
	kΩ	Potentiometer feedback: 1 – 10								
Servomotor 20 mA		Constant 0/4 – 20 mA output								
		Servomotor with 20 mA feedback								
Relays		2 x 230 V AC, 5 A (ohmic load)								
Relay high current		2 x 230 V AC, 8 A (ohmic load)								
Optocoupler		2 x 80 V DC, 5 mA								
Digital universal		selectable: 2 x 230 V AC, 5 A (ohmic load) relays or 2 x 80 V DC, 5 mA optocouplers								

^{a)} A temperature sensor can also be connected.

^{b)} Additionally, up to two temperature sensors can be connected.

^{c)} Additionally, up to three temperature sensors can be connected.

^{d)} Dependant on the measuring cell transconductance.

^{e)} Dependant on the measuring cell.

^{f)} Dependant on the single-rod measuring cell.

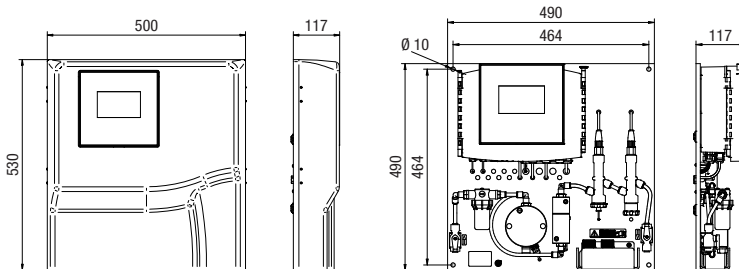
^{g)} Dependant on the configuration, corresponds to approx. 0 – 1 % or 0 – 5 % salt content.

^{h)} Dependant on the input module.

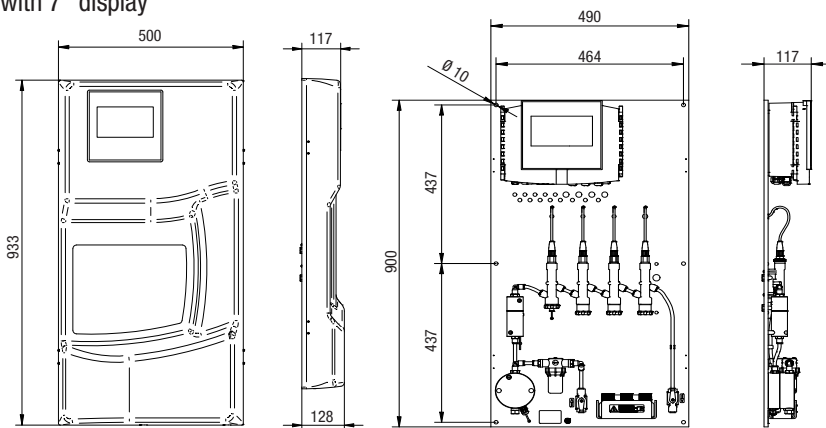
Dimensions

All dimensions in mm

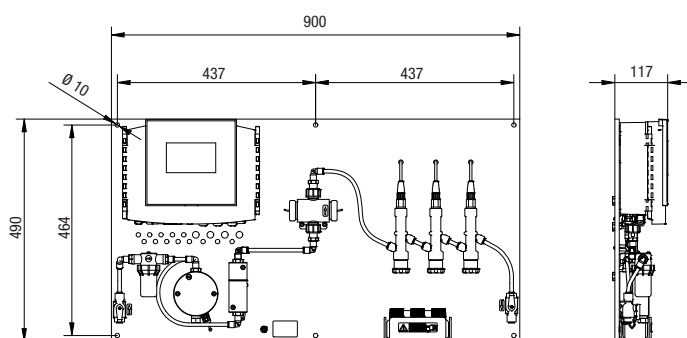
EASYPRO MB-C & ME-C with 5" display



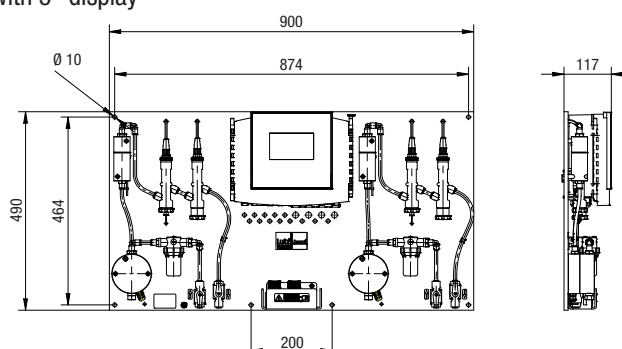
EASYPRO MC-C, MD-C, MP-C & MK-C with 7" display



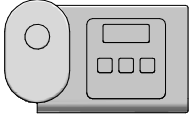
EASYPRO CS 2, 3 & 4 with 5" display (CS 2) or with 7" display (CS 3 & 4)



EASYPRO MBB-C & MEE-C with 5" display



Accessories



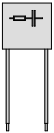
Photometer

- Internal memory for 16 data sets
- Automatic switch off
- Real-time clock and date
- Adjustable functional display
- Illuminated display
- Water-tight (analogue IP68, 1 hour at 0.1 metre)



Buffer solutions

- pH value: pH 6.80 and 9.27
- Redox value: 468 mV
- Conductivity: 12.88 mS/cm and 50 mS/cm



Switching device suppression module

- -20 to +70 °C
- 22 × 27 × 11 mm
- 50 W (VA)



Visualisation Software TopView 4

- Visualisation and monitoring of the EASYPRO water sampling station
- Retrieval and display of data from the browser for up to 10 users with user-specific view configurations
- Pre-installed TopView license and operating system on an energy-saving microcomputer
- Connection to controller via Modbus TCP network
- Simple configuration and remote access via LAN/WLAN
- Secure connection through VPN and https
- Archiving of all alarms issued and all measured values
- Automatic daily log
- Operating log (optional)