

Technical Information

iTEMP[®] TMT84

Dual Input Temperature Transmitter with PROFIBUS[®] PA communication



Application

- Temperature transmitter with 2 universal input channels and PROFIBUS[®] PA protocol for the conversion of different input signals into digital output signals
- The iTEMP[®] TMT84 stands out due to signal reliability, long-term stability, high precision and advanced diagnostics (important in critical processes)
- For the highest level of safety, availability and risk reduction
- Universal input usable for resistance thermometer (RTD), thermocouple (TC), resistance transmitter (Ω), voltage transmitter (mV)
- DIN B style transmitter to fit in the smallest terminal heads or in remote housings in accordance with DIN EN 50446
- Optional installation in field housings even for use in Ex d areas
- Mounting bracket pipe or wall for the field housing

Your benefits

- Easy and standardized communication via PROFIBUS[®] PA Profile 3.02

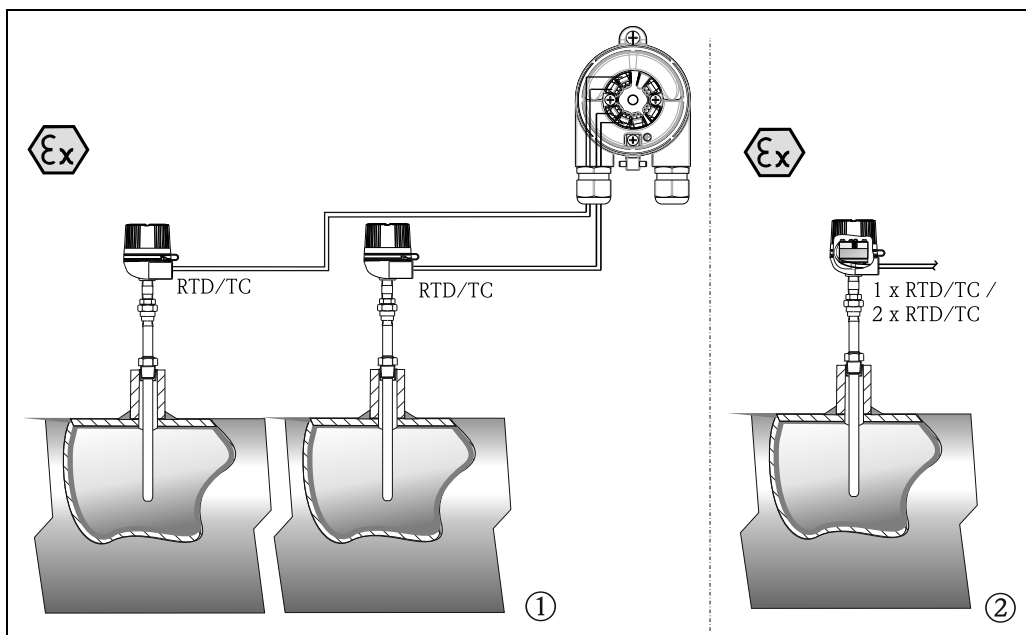
- Meets the EMC requirements as per NAMUR NE21 and the recommendations of NE89 with regard to temperature transmitters with digital signal processing
- Straightforward design of measuring points in Ex-areas through FISCO/FNICO conformity in accordance with IEC 600079-27
- Diagnostics information according to NAMUR NE107
- Safe operation in hazardous areas thanks to international approvals such as
 - FM IS, NI
 - CSA IS, NI
 - ATEX Ex ia, Ex nA (Ex nL)
 for intrinsically safe installation in zone 1 and zone 2
- High accuracy through sensor-transmitter matching
- Reliable operation with sensor monitoring and device hardware fault recognition
- Several mounting versions and sensor connection combinations
- Rapid no-tools wiring due to optional spring terminal technology
- Compatibility mode for easy replacement of the previous model iTEMP[®] TMT184

Function and system design

Measuring principle

Electronic recording and conversion of various input signals in industrial temperature measurement.

Measuring system



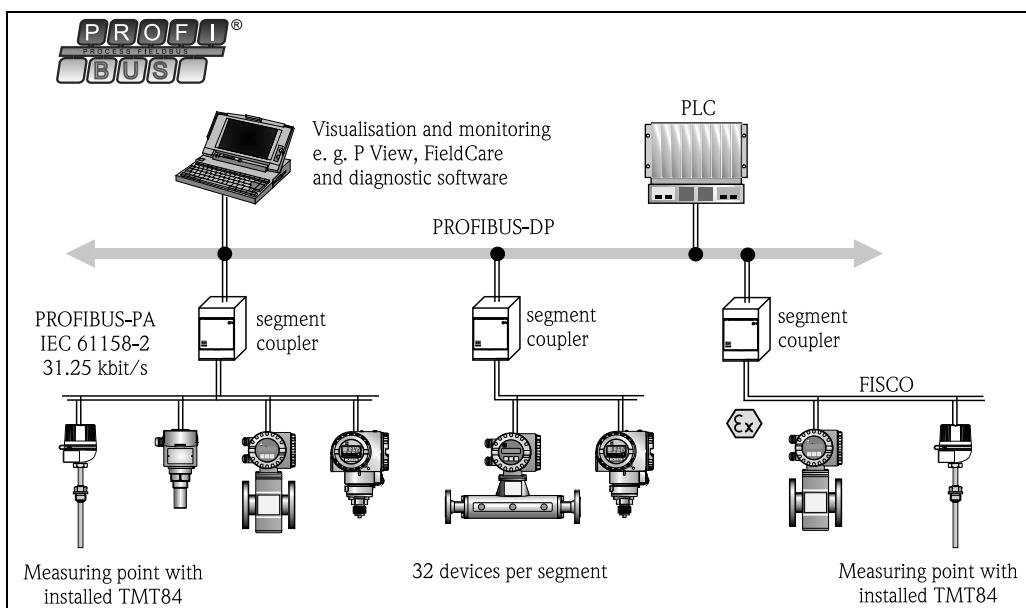
Application examples

- ① Two sensors with measuring input (RTD or TC) in remote installation with the following advantages: drift warning, sensor backup function and temperature-dependent switching
- ② Built-in head transmitter - 1 x RTD/TC or 2 x RTD/TC as redundancy

Endress+Hauser is a producer of a wide range of resistance thermometers, thermocouples and matching thermowells.

In conjunction with these components, the temperature transmitter forms a complete measuring point for various applications in the industrial sector.

Device architecture



System integration via PROFIBUS® PA

The temperature transmitter is a two-wire device with two measuring inputs. Using PROFIBUS® PA, the device transfers converted signals from resistance thermometers and thermocouples in addition to other resistance and millivolt signals. The device is powered via the PROFIBUS® PA bus and can be installed as an intrinsically safe apparatus in zone 1 hazardous areas. The device is used for instrumentation purposes in the terminal head form B as per DIN EN 50446. Data transfer takes place via 4 analog input (AI) function blocks:

Sensor diagnosis functions

Sensor diagnoses such as cable open circuit, short-circuit, cable corrosion, wiring error and device hardware error are supported. In addition, the work area of the sensor and the ambient temperature are monitored.

2-channel functions

These functions increase the reliability and availability of the process values:

- Sensor backup switches to the second sensor if the primary sensor fails.
- Drift warning or alarm if the deviation between sensor 1 and sensor 2 is less than or greater than a predefined limit value.
- Temperature-dependent switching between sensors which have advantages in different ranges.

Compatibility mode

For a easy replacement of the previous model iTEMP® TMT184 with the TMT84 a compatibility mode is available. The switching between the standard mode and compatibility mode in the iTEMP® TMT84 is done automatically during the connection establishment of the cyclic communication.

The Following points have to receive attention:

- Only PROFIBUS® PA-Profile 3.0 is supported.
- Only 1-channel operation possible.
- The diagnostics and status handling is equal to the previous model TMT184.
- The previous model TMT184 software locking is not available.

Input

Measured variable	Temperature (temperature linear transmission behavior), resistance and voltage.
Measuring range	The transmitter records different measuring ranges depending on the sensor connection and input signals (see "Type of input").
Type of input	It is possible to connect two sensors which are independent of each other. The measuring inputs are not galvanically isolated from each other.

Type of input	Designation	Measuring range limits
Resistance thermometer (RTD) as per IEC 60751 ($\alpha = 0.00385$) as per JIS C1604-81 ($\alpha = 0.003916$) as per DIN 43760 ($\alpha = 0.006180$) as per Edison Copper Winding No.15 ($\alpha = 0.004274$) as per Edison Curve ($\alpha = 0.006720$) as per GOST ($\alpha = 0.003911$) as per GOST ($\alpha = 0.004280$)	Pt100	-200 to 850 °C (-328 to 1562 °F)
	Pt200	-200 to 850 °C (-328 to 1562 °F)
	Pt500	-200 to 250 °C (-328 to 482 °F)
	Pt1000	-200 to 250 °C (-238 to 482 °F)
	Pt100	-200 to 649 °C (-328 to 1200 °F)
	Ni100	-60 to 250 °C (-76 to 482 °F)
	Ni1000	-60 to 150 °C (-76 to 302 °F)
	Cu10	-100 to 260 °C (-148 to 500 °F)
	Ni120	-70 to 270 °C (-94 to 518 °F)
	Pt50 Pt100	-200 to 1100 °C (-328 to 2012 °F) -200 to 850 °C (-328 to 1562 °F)
Cu50, Cu100	-200 to 200 °C (-328 to 392 °F)	
Pt100 (Callendar-Van Dusen)	10 to 400 Ω 10 to 2000 Ω	
Polynomial nickel	10 to 400 Ω 10 to 2000 Ω	
Polynomial copper	10 to 400 Ω 10 to 2000 Ω	
	<ul style="list-style-type: none"> ■ Connection type: 2-wire, 3-wire or 4-wire connection, sensor current: ≤ 0.3 mA ■ For 2-wire circuit, compensation for wire resistance possible (0 to 30 Ω) ■ For 3-wire and 4-wire connection, sensor wire resistance up to max. 50 Ω per wire 	
Resistance transmitter	Resistance Ω	10 to 400 Ω 10 to 2000 Ω
Thermocouples (TC) as per IEC 584, Part 1 as per ASTM E988 as per DIN 43710	Type B (PtRh30-PtRh6)	40 to +1820 °C (104 to 3308 °F)
	Type E (NiCr-CuNi)	-270 to +1000 °C (-454 to 1832 °F)
	Type J (Fe-CuNi)	-210 to +1200 °C (-346 to 2192 °F)
	Type K (NiCr-Ni)	-270 to +1372 °C (-454 to 2501 °F)
	Type N (NiCrSi-NiSi)	-270 to +1300 °C (-454 to 2372 °F)
Type R (PtRh13-Pt)	-50 to +1768 °C (-58 to 3214 °F)	
Type S (PtRh10-Pt)	-50 to +1768 °C (-58 to 3214 °F)	
Type T (Cu-CuNi)	-260 to +400 °C (-436 to 752 °F)	
Type C (W5Re-W26Re)	0 to +2315 °C (32 to 4199 °F)	
Type D (W3Re-W25Re)	0 to +2315 °C (32 to 4199 °F)	
Type L (Fe-CuNi)	-200 to +900 °C (-328 to 1652 °F)	
Type U (Cu-CuNi)	-200 to +600 °C (-328 to 1112 °F)	
	<ul style="list-style-type: none"> ■ Internal cold junction (Pt100) ■ External cold junction: value adjustable from -40 to +85 °C (-40 to +185 °F) ■ Maximum sensor resistance 10 kΩ (if the sensor resistance is greater than 10 kΩ, an error message is output in accordance with NAMUR NE89) 	

Type of input	Designation	Measuring range limits
Voltage transmitter (mV)	Millivolt transmitter (mV)	-20 to 100 mV -5 to 30 mV

When assigning both sensor inputs, the following connection combinations are possible:

		Sensor input 1			
		RTD or resistance transmitter, 2-wire	RTD or resistance transmitter, 3-wire	RTD or resistance transmitter, 4-wire	Thermocouple (TC), voltage transmitter
Sensor input 2	RTD or resistance transmitter, 2-wire	✓	✓	-	✓
	RTD or resistance transmitter, 3-wire	✓	✓	-	✓
	RTD or resistance transmitter, 4-wire	-	-	-	-
	Thermocouple (TC), voltage transmitter	✓	✓	✓	✓

Input signal

Input data: The transmitter is able to receive a cyclic value and its status sent by a master via PROFIBUS® PA. That value and status is represented and can be read acyclically.

Output

Output signal

- PROFIBUS® PA in accordance with EN 50170 Volume 2, IEC 61158-2 (MBP), galvanically isolated;
- FDE (Fault Disconnection Electronic) = 0 mA
- Data transmission rate: supported baud rate = 31.25 kBit/s
- Signal coding = Manchester II
- Output data:
 - Available values via AI blocks: temperature (PV), temp sensor 1 + 2, terminal temperature
- In a control system the transmitter always operates as a slave and, dependent on the application, can exchange data with one or more masters.
- In accordance with IEC 60079-27, FISCO/FNICO

Breakdown information

Status message in accordance with PROFIBUS® PA Profile 3.01/3.02 specification.

Linearization/transmission behavior

Temperature linear, resistance linear, voltage linear

Mains voltage filter

50/60 Hz

Galvanic isolation

U = 2 kV AC (sensor input to the output)

Current consumption

≤ 11 mA

Switch-on delay

8 s

PROFIBUS® PA basic data

Manufacturer spec. ID-no.:	Profile 3.0 ID-no.:	Manufacturer specific GSD
1551 (Hex)	9700 (Hex) 9701 (Hex) 9702 (Hex) 9703 (Hex)	EH021551.gsd (Profile 3.01 EH3x1551.gsd)
Profile 3.0 GSD	Device address or bus address	Bitmaps
Pa139700.gsd Pa139701.gsd Pa139702.gsd Pa139703.gsd	126 (default)	EH_1551_d.bmp EH_1551_n.bmp EH_1551_s.bmp



If the TMT84 operates in the compatibility mode, the device is identifying with the manufacturer specific ID-no.: 1523 (Hex) - TMT184 in the cyclic data exchange.

Brief description of the blocks

Physical Block

The Physical Block contains all the data that clearly identify and characterize the device. It is like an electronic device nameplate. In addition to parameters that are needed to operate the device on the fieldbus, the Physical Block makes other information available such as the order code, device ID, hardware revision, software revision, device release, etc. Furthermore the display settings can be configured via the Physical Block.

Transducer Block "Sensor 1" and "Sensor 2"

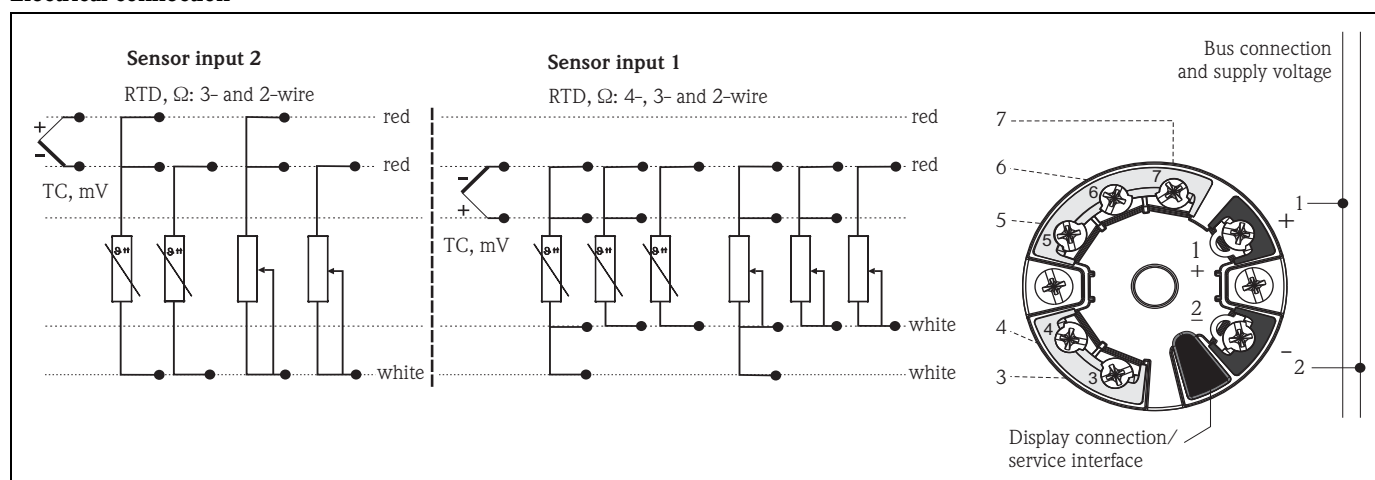
The Transducer Blocks of the transmitter contain all the measurement-related and device-specific parameters that are relevant for measuring the input variables.

Analog Input (AI)

In the AI function block, the process variables from the Transducer Blocks are prepared for subsequent automation functions in the control system (e.g. scaling, limit value processing).

Power supply

Electrical connection



Terminal assignment of transmitter.

Supply voltage

$U = 9$ to 32 V DC, polarity independent (max. voltage $U_b = 35$ V)

Performance characteristics

Response time 1 s per channel

Reference operating conditions

- Calibration temperature: + 25 °C ± 5 K (77 °F ± 9 °F)
- Supply voltage: 24 V DC
- 4-wire circuit for resistance adjustment

Resolution Resolution A/D converter = 18 bit

Maximum measured error



The accuracy data are typical values and correspond to a standard deviation of $\pm 3\sigma$ (normal distribution), i.e. 99.8% of all the measured values achieve the given values or better values.

	Designation	Performance characteristics
Resistance thermometers (RTD)	Cu100, Pt100, Ni100, Ni120	0.1 °C (0.18 °F)
	Pt500	0.3 °C (0.54 °F)
	Cu50, Pt50, Pt1000, Ni1000	0.2 °C (0.36 °F)
	Cu10, Pt200	1 °C (1.8 °F)
Thermocouples (TC)	Type: K, J, T, E, L, U	0.25 °C (0.45 °F)
	Type: N, C, D	0.5 °C (0.9 °F)
	Type: S, B, R	1.0 °C (1.8 °F)
	Measuring range	Performance characteristics
Resistance transmitters (Ω)	10 to 400 Ω	± 0.04 Ω
	10 to 2000 Ω	± 0.8 Ω
Voltage transmitters (mV)	-20 to 100 mV	± 10 μV

Sensor transmitter matching

RTD sensors are one of the most linear temperature measuring elements. Nevertheless, the output must be linearized. To improve temperature measurement accuracy significantly, the device enables the use of two methods:

- Callendar-Van Dusen coefficients (Pt100 resistance thermometer)
The Callendar-Van Dusen equation is described as:

$$R_T = R_0[1 + AT + BT^2 + C(T - 100)T^3]$$

The coefficients A, B and C are used to match the sensor (platinum) and transmitter in order to improve the accuracy of the measuring system. The coefficients for a standard sensor are specified in IEC 751. If no standard sensor is available or if greater accuracy is required, the coefficients for each sensor can be determined specifically by means of sensor calibration.

- Linearization for copper/nickel resistance thermometers (RTD)
The polynomial equations for nickel are described as:

$$R_T = R_0[1 + AT + BT^2 + C(T - 100)T^3]$$

The equations for copper, subject to temperature, are described as:

$$R_T = R_0(1 + AT)$$

T = -50 °C to 200 °C (-58 °F to 392 °F)

$$R_T = R_0[1 + AT + B(T + 6.7) + CT^2]$$

T = -180 °C to -50 °C (-292 °F to -58 °F)

These coefficients A, B and C are used for the linearization of nickel or copper resistance thermometers (RTD). The exact values of the coefficients derive from the calibration data and are specific to each sensor.

Sensor transmitter matching using one of the above-named methods significantly improves the temperature measurement accuracy of the entire system. This is due to the fact that to calculate the temperature measured, the transmitter uses the specific data pertaining to the connected sensor instead of using the standardized sensor curve data.

Non-repeatability

As per EN 61298-2

Physical input measuring range of sensors		Non-repeatability
10 to 400 Ω	Cu10, Cu50, Cu100, Pt50, Pt100, Ni100, Ni120	15 m Ω
10 to 2000 Ω	Pt200, Pt500, Pt1000, Ni1000	100 ppm x measured value
-20 to 100 mV	Thermocouples type: C, D, E, J, K, L, N, U	4 μ V
-5 to 30 mV	Thermocouples type: B, R, S, T	3 μ V

Long-term stability ≤ 0.1 °C/year (≤ 0.18 °F/year) in reference operating conditions**Influence of ambient temperature (temperature drift)**

Impact on accuracy when ambient temperature changes by 1 K (1.8 °F):	
Input 10 to 400 Ω	0.001% of the measured value, min. 1 m Ω
Input 10 to 2000 Ω	0.001% of the measured value, min. 10 m Ω
Input -20 to 100 mV	0.001% of the measured value, min. 0.2 μ V
Input -5 to 30 mV	0.001% of the measured value, min. 0.2 μ V

Typical sensitivity of resistance thermometers		
Pt: $0.00385 * R_{nom}/K$	Cu: $0.0043 * R_{nom}/K$	Ni: $0.00617 * R_{nom}/K$

Example Pt100: $0.00385 * 100 \Omega/K = 0.385 \Omega/K$

Typical sensitivity of thermocouples					
B: 9 μ V/K at 1000 °C (1832 °F)	C: 18 μ V/K at 1000 °C (1832 °F)	D: 20 μ V/K at 1000 °C (1832 °F)	E: 81 μ V/K at 500 °C (932 °F)	J: 56 μ V/K at 500 °C (932 °F)	K: 43 μ V/K at 500 °C (932 °F)
L: 60 μ V/K at 500 °C (932 °F)	N: 38 μ V/K at 500 °C (932 °F)	R: 13 μ V/K at 1000 °C (1832 °F)	S: 11 μ V/K at 1000 °C (1832 °F)	T: 46 μ V/K at 100 °C (212 °F)	U: 70 μ V/K at 500 °C (932 °F)

Example of calculating the measured error with ambient temperature drift:

- Input temperature drift $\vartheta = 10$ K (18 °F), Pt100, measuring range 0 to 100 °C (32 to 212 °F)
- Maximum process temperature: 100 °C (212 °F)
- Measured resistance value: 138.5 Ω (DIN EN 60751) at maximum process temperature

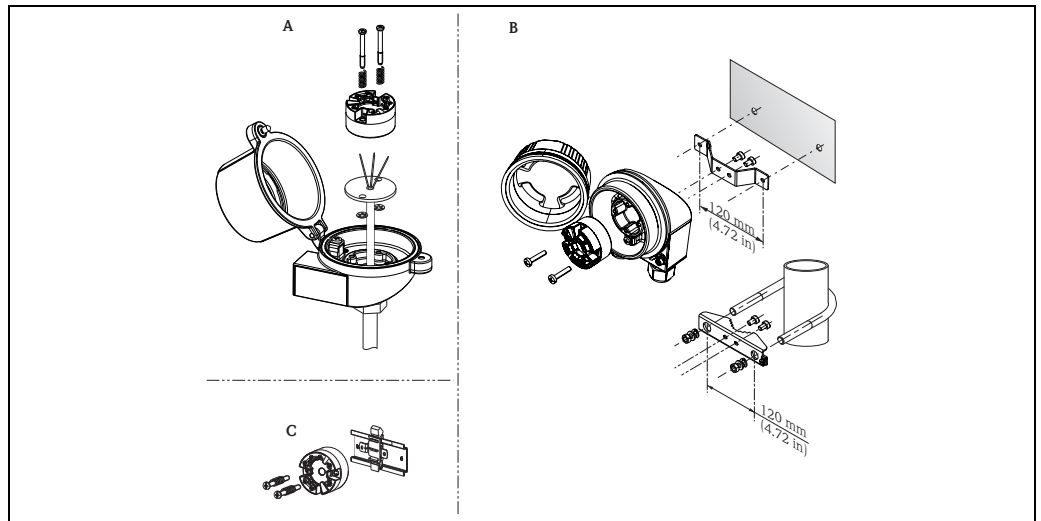
Typical temperature drift in Ω : $(0.001\% \text{ of } 138.5 \Omega) * 10 = 0.01385 \Omega$ Conversion to Kelvin: $0.01385 \Omega / 0.385 \Omega/K = 0.04$ K (0.054 °F)**Influence of reference point (cold junction)**

Pt100 DIN EN 60751 Cl. B, internal reference point for thermocouples TC

Installation conditions

Installation instructions

- Mounting location:



A: Terminal head as per DIN EN 50446 form B, direct installation onto insert with cable entry (middle hole 7 mm (0.28 in))
 B: Separated from process in field housing, wall or pipe mounting
 C: With DIN rail clip on top-hat rail as per IEC 60715 (TH35)

A0016762

- Orientation:
No restrictions

Environment conditions

Ambient temperature range	-40 to +85 °C (-40 to +185 °F), for hazardous areas see Ex documentation (XA, CD) and "Approvals" section.
Storage temperature	-40 to +100 °C (-40 to +212 °F)
Altitude	up to 4000 m (4374.5 yd) above mean sea level in accordance with IEC 61010-1, CSA 1010.1-92
Climate class	as per IEC 60654-1, Class C
Humidity	<ul style="list-style-type: none"> ■ Condensation as per IEC 60068-2-33 permitted ■ Max. rel. humidity: 95% as per IEC 60068-2-30
Degree of protection	<ul style="list-style-type: none"> ■ IP00 with screw terminals. In the installed state, it depends on the terminal head or field housing used. ■ IP30 with spring terminals ■ IP66/67 when installed in field housing TA30A, TA30D or TA30H
Shock and vibration resistance	10 to 2000 Hz for 5g as per IEC 60068-2-6

Electromagnetic compatibility (EMC)**CE EMC compliance**

The device meets all of the requirements mentioned in IEC 61326-1, 2007 and NAMUR NE21:2006.

This recommendation is a consistent determination whether the devices used in laboratories and in process control systems are immune to interference, thus increasing their functional safety.

ESD (electrostatic discharge)	IEC 61000-4-2	6 kV cont., 8 kV air	
Electromagnetic fields	IEC 61000-4-3	0.08 to 4 GHz	10 V/m
Burst (fast transients)	IEC 61000-4-4	1 kV	
Surge	IEC 61000-4-5	1 kV asym.	
Conducted RF	IEC 61000-4-6	0.01 to 80 MHz	10 V

Measuring category

Measuring category II as per IEC 61010-1. The measuring category is provided for measuring on power circuits that are directly connected electrically with the low-voltage network.

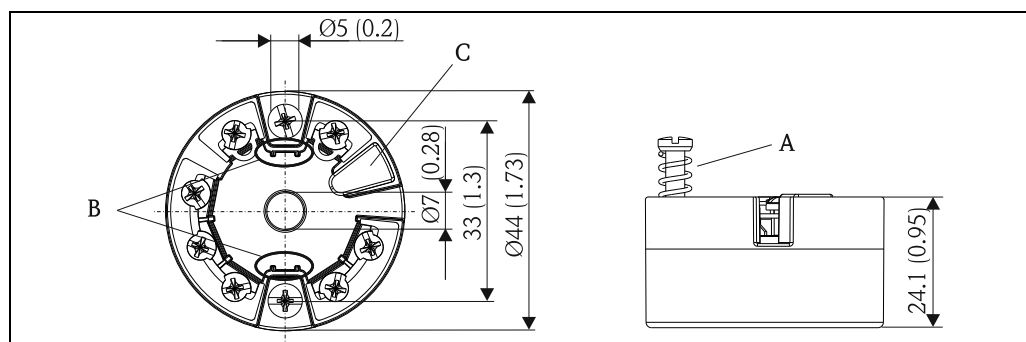
Degree of contamination

Pollution degree 2 as per IEC 61010-1.

Mechanical construction

Design, dimensions

Specifications in mm (in)

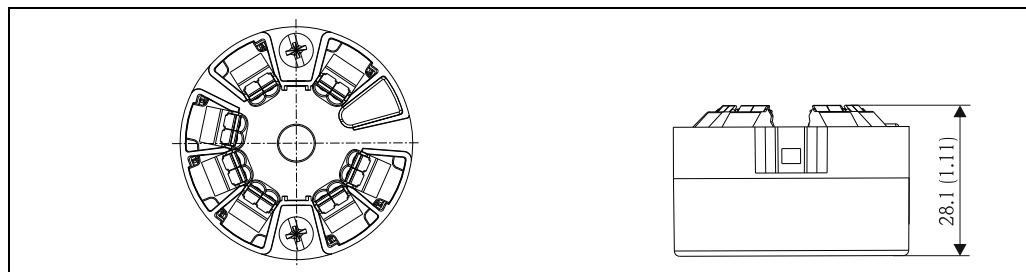
Head transmitter

Model with screw terminals

Pos. A: Spring range $L \geq 5$ mm (not applicable to US - M4 mounting screws)

Pos. B: Fixing elements for detachable measured value display

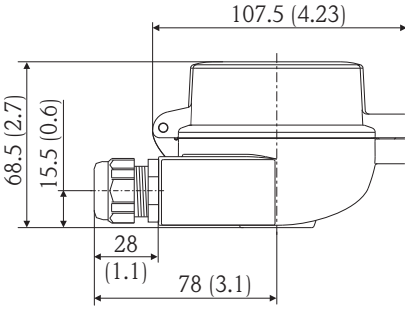
Pos. C: Interface for contacting measured value display

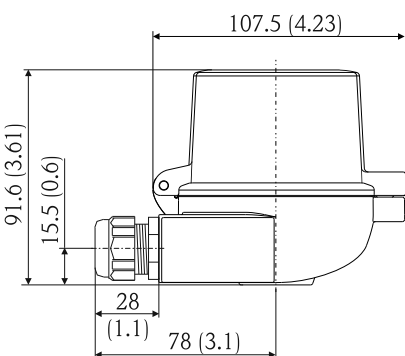


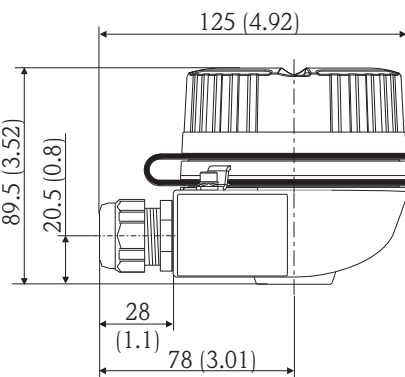
Model with spring terminals. The same dimensions except for height of housing.

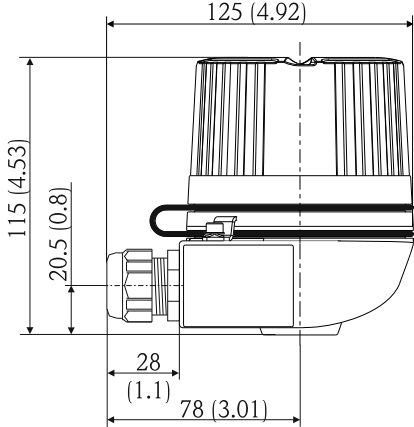
Field housings

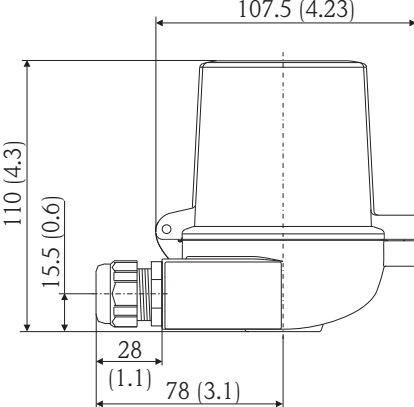
All terminal heads have an internal shape and size in accordance with DIN EN 50446, flat face and a thermometer connection of M24x1.5. Cable glands: M20x1.5

TA30A	Specification
 <p style="text-align: right; font-size: small;">A0009820</p>	<ul style="list-style-type: none"> ■ Two cable entries ■ Temperature: -50 °C to +150 °C (-58 °F to +302 °F) without cable gland ■ Material: aluminum, polyester powder coated ■ Seals: silicone ■ Cable entry incl. glands: ½"NPT and M20x1.5 ■ Head color: blue RAL 5012 ■ Cap color: gray RAL 7035 ■ Weight: 330 g (11.64 oz)

TA30A with display window in cover	Specification
 <p style="text-align: right; font-size: small;">A0009821</p>	<ul style="list-style-type: none"> ■ Two cable entries ■ Temperature: -50 °C to +150 °C (-58 °F to +302 °F) without cable gland ■ Material: aluminum, polyester powder coated ■ Seals: silicone ■ Cable entry incl. glands: ½"NPT und M20x1.5 ■ Head color: blue RAL 5012 ■ Cap color: gray RAL 7035 ■ Weight: 420 g (14.81 oz)

TA30H	Specification
 <p style="text-align: right; font-size: small;">A0009832</p>	<ul style="list-style-type: none"> ■ Flameproof (XP) version, explosion-protected, captive screw cap, with two cable entries ■ Temperature: -50 °C to +150 °C (-58 °F to +302 °F) for rubber seal without cable gland (observe max. permitted temperature of the cable gland!) ■ Material: aluminum; polyester powder coated ■ Cable entry glands: ½"NPT, M20x1.5 ■ Head color: blue RAL 5012 ■ Cap color: gray RAL 7035 ■ Weight: 640 g (22.6 oz)

TA30H with display window in cover	Specification
 <p>A0009831</p>	<ul style="list-style-type: none"> ■ Flameproof (XP) version, explosion-protected, captive screw cap, with two cable entries ■ Temperature: -50 °C to +150 °C (-58 °F to +302 °F) for rubber seal without cable gland (observe max. permitted temperature of the cable gland!) ■ Material: aluminum; polyester powder coated ■ Cable entry glands: ½"NPT, M20x1.5 ■ Head color: blue RAL 5012 ■ Cap color: gray RAL 7035 ■ Weight: 860 g (30.33 oz)

TA30D	Specification
 <p>A0009822</p>	<ul style="list-style-type: none"> ■ Two cable entries ■ Temperature: -50 °C to +150 °C (-58 °F to +302 °F) without cable gland ■ Material: aluminum, polyester powder coated Seals: silicone ■ Cable entry incl. glands: ½"NPT, M20x1.5 ■ Two head transmitters can be mounted. In the standard version, one transmitter is mounted in the terminal head cover and an additional terminal block is installed directly on the insert. ■ Head color: blue RAL 5012 ■ Cap color: gray RAL 7035 ■ Weight: 390 g (13.75 oz)

Maximum ambient temperature for cable glands and fieldbus connectors	
Type	Temperature range
Cable gland polyamide ½" NPT, M20x1.5 (non-Ex)	-40...+100 °C (-40...+212 °F)
Cable gland polyamide M20x1.5 (for dust ignition-proof area)	-20...+95 °C (-4...+203 °F)
Cable gland brass ½" NPT, M20x1.5 (for dust ignition-proof area)	-20...+130 °C (-4...+266 °F)
Fieldbus connector (M12x1 PA, 7/8" FF)	-40...+105 °C (-40...+221 °F)

Weight

- Head transmitter: approx. 40 to 50 g (1.4 to 1.8 oz)
- Field housing: see specifications

Material

All materials used are RoHS-compliant.

Head transmitter

- Housing: Polycarbonate (PC), complies with UL94 HB flammability standard (HB: horizontal burning test)
- Terminals
 - Screw terminals: Nickel-plated brass and gold-plated contact
 - Spring terminals: Tin-plated brass, contact spring V2A
- Potting: WEVO PU 403 FP / FL, according to UL94 V0 flammability standard (V0: vertical burning test)

Field housing: see specifications

Terminals

Choice of screw or spring terminals (see "Design, dimensions" diagram) for sensor and fieldbus wires:

Terminals version	Wire version	Conductor cross-section
Screw terminals (with latches at the fieldbus terminals for easy connection of a handheld terminal, e.g. DXR375)	Rigid or flexible	$\leq 2.5 \text{ mm}^2$ (14 AWG)
Spring terminals Stripped length = min. 10 mm (0.39 in)	Rigid or flexible	$0.2...1.5 \text{ mm}^2$ (24...16 AWG)
	Flexible with wire-end ferrules without plastic ferrule	$0.25...1.5 \text{ mm}^2$ (24...16 AWG)
	Flexible with wire-end ferrules with plastic ferrule	$0.25...0.75 \text{ mm}^2$ (24...18 AWG)



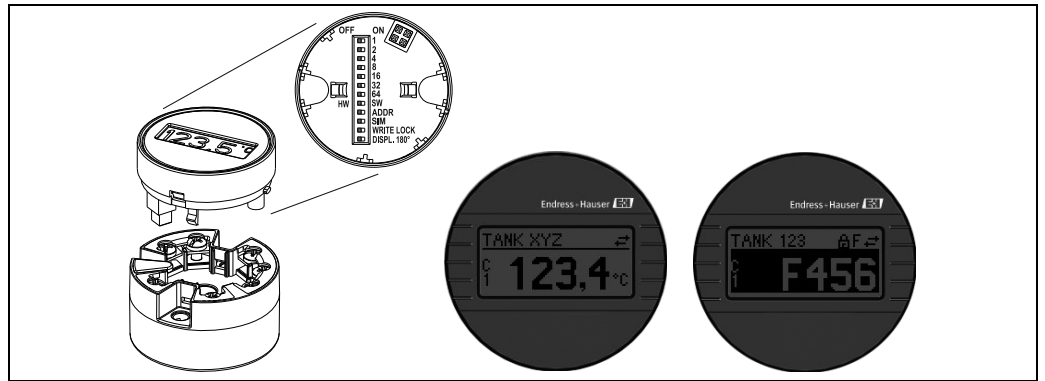
No ferrules have to be used when connecting flexible wires to spring terminals.

Human interface

Display and operating elements

There are no display or operating elements present at the transmitter.

Optional the plug-on display TID10 can be used in connection with the transmitter. It will display information regarding the actual measured value and the measurement point identification. In the event of a fault in the measurement chain this will be displayed in inverse color showing the channel ident and diagnostics code. DIP-switches can be found on the rear of the display. This enables the hardware set-up such as the PROFIBUS® device address.



Pluggable display TID10

a000918

If the transmitter is installed in a field housing and used with a display, a housing with glass window needs to be used.

Remote operation

The configuration of PROFIBUS® PA functions and of device-specific parameters is performed via fieldbus communication. Special configuration systems provided by various manufacturers are available for this purpose.

Configuration software
Endress+Hauser FieldCare (DTM)
SIMATIC PDM (EDD)

Sources of supply of the device data files (GSD) and device drivers:

- GSD-file: www.endress.com (→ Download → Software)

- Profile GSD-file: www.profibus.com
- FieldCare/DTM: www.endress.com (→ Automation → Fieldbus → Fieldbus device integration)
- SIMATIC PDM: www.endress.com (→ Automation → Fieldbus → Fieldbus device integration) or www.fielddevices.com

Bus address

The device address or bus address is set up either with the configuration software or via DIP switches on the optional display.

Certificates and approvals

CE-Mark

The device meets the legal requirements of the EC directives. Endress+Hauser confirms that the device has been successfully tested by applying the CE mark.

Hazardous area approvals**ATEX approval**

TMT84		ATEX II 1G	Ex ia IIC	T6/T5/T4
Power supply (Terminals + and -)		$U_i \leq 17.5 \text{ V DC}$ $I_i \leq 500 \text{ mA}$ $C_i \leq 5 \text{ nF}$ $L_i = \text{negligibly small}$	or	$U_i \leq 24 \text{ V DC}$ $I_i \leq 250 \text{ mA}$
Suitable for connecting to a fieldbus system as per the FISCO/FNICO model				
Sensor circuit (Terminals 3 to 7)		$U_0 \leq 7.2 \text{ V DC}$ $I_0 \leq 25.9 \text{ mA}$ $P_0 \leq 46.7 \text{ mW}$ $C_i = \text{negligibly small}$ $L_i = \text{negligibly small}$		
Max. connection data	Ex ia IIC Ex ia IIB Ex ia IIA	$L_0 = 20 \text{ mH}$ $L_0 = 50 \text{ mH}$ $L_0 = 100 \text{ mH}$	$C_0 = 0.7 \mu\text{F}$ $C_0 = 4.6 \mu\text{F}$ $C_0 = 6.0 \mu\text{F}$	
Temperature range	T6 T5 T4	Zone 1, 2: $T_a = -40 \text{ °C to } +55 \text{ °C}$ (-40 °F to 130 °F) $T_a = -40 \text{ °C to } +70 \text{ °C}$ (-40 °F to 158 °F) $T_a = -40 \text{ °C to } +85 \text{ °C}$ (-40 °F to 185 °F)	Zone 0: $T_a = -20 \text{ °C to } +40 \text{ °C}$ (-4 °F to 104 °F) $T_a = -20 \text{ °C to } +50 \text{ °C}$ (-4 °F to 122 °F) $T_a = -20 \text{ °C to } +60 \text{ °C}$ (-4 °F to 140 °F)	

Application:

- Equipment category: potentially explosive gas and air mixtures (G)
- Category 1 zone 0, 1 or 2



For zone 0: potentially explosive steam and air mixtures may only occur under following atmospheric conditions:

- $-20 \text{ °C} \leq T_a \leq +60 \text{ °C}$ (-4 °F $\leq T_a \leq +140 \text{ °F}$)
- $0.8 \text{ bar} \leq p \leq 1.1 \text{ bar}$ (11.6 psi $\leq p \leq 16 \text{ psi}$)

TMT84		ATEX ■ II 2G Ex d IIC T6...T4 Gb ■ II 2D Ex tb IIIC T85 °C...T105 °C Db IEC ■ Ex d IIC T6...T4 Gb ■ Ex tb IIIC T85 °C...T105 °C Db
Power supply (terminals + and -)		$U \leq 35 \text{ V DC}$
Output		PROFIBUS® PA Current consumption $\leq 11 \text{ mA}$
Temperature range	T6 T5 T4	$-40 \text{ °C} \leq T_a \leq +65 \text{ °C}$ $-40 \text{ °C} \leq T_a \leq +80 \text{ °C}$ $-40 \text{ °C} \leq T_a \leq +85 \text{ °C}$

TMT84		ATEX ■ II 2G Ex d IIC T6...T4 Gb ■ II 2D Ex tb IIIC T85 °C...T105 °C Db IEC ■ Ex d IIC T6...T4 Gb ■ Ex tb IIIC T85 °C...T105 °C Db
Maximum surface temperature housing	T85°C T100°C T105°C	-40 °C ≤ Ta ≤ +65 °C -40 °C ≤ Ta ≤ +80 °C -40 °C ≤ Ta ≤ +85 °C

TMT84		ATEX II 3G Ex nA II T6/T5/T4 ATEX II 3D
Power supply (terminals + and -)		U ≤ 35 V DC
Output		PROFIBUS® PA Current consumption ≤ 11 mA
Temperature range	T6 T5 T4	Ta = -40 °C to + 55 °C (-40 °F to 130 °F) Ta = -40 °C to + 70 °C (-40 °F to 158 °F) Ta = -40 °C to + 85 °C (-40 °F to 185 °F)

TMT84		II 3G Ex nL IIC T6/T5/T4	
Power supply (terminals + and -)		Ui ≤ 32 V DC Ci ≤ 5 nF Li ≤ 10 μH	
Applicable for connection to a Fieldbus system according to FNICO-model			
Sensor circuit (terminals 3 to 7)		Uo ≤ 7.2 VDC Io ≤ 25.9 mA Po ≤ 46.7 mW	
Max. connection values	Ex nL IIC Ex nL IIB Ex nL IIA	Lo = 20 mH Lo = 50 mH Lo = 100 mH	Co = 0.97 μF Co = 4.6 μF Co = 6 μF
Temperature range	T6 T5 T4	Ta = -40 °C to + 55 °C Ta = -40 °C to + 70 °C Ta = -40 °C to + 85 °C	

Application (ATEX II 3G Ex nA II T6/T5/T4):

- Equipment category: potentially explosive gas and air mixtures (G)
- Category zone 2

Application (ATEX II 3D):

- Equipment category: potentially explosive dust and air mixtures (D)
- Category zone 22

FM approval

Labeling: IS / I / 1 / ABCD / T4, Entity* or FISCO*;

I / 0 / AEx ia IIC / T4 Ta, Entity* or FISCO*

NI / I / 2 / ABCD / T4, NIFW* or FNICO*;

FM XP, NI, DIP I, II, III / 1+2 / A-G

*= Entity, FISCO, NIFW and FNICO parameters in accordance with control drawings (CD)

Application:

- Intrinsic safety
- Non-incendive

For connection data see table on ATEX approval ATEX II 1G

CSA approval (Canadian Standard Association)

Labeling:

Class I, Div. 1, Groups A, B, C, D, Entity* or FISCO*;

Ex ia IIC
 Class I, Div.2, Groups A, B, C, D, NIFW* or FNICO*;
 Ex nA IIC
 CSA XP, NI, DIP I, II, III / 1+2 / A-G
 *= Entity, FISCO, NIFW and FNICO parameters in accordance with control drawings (CD)

Application:

- Intrinsic safety
- Non-incendive

For connection data see table on ATEX approval ATEX II 1 G

For further details on the available Ex versions (ATEX, CSA, FM, etc.), please contact your nearest Endress+Hauser sales organisation. All relevant data for hazardous areas can be found in separate Ex documentation. If required, please request copies from us or your Endress+Hauser sales organisation.

UL	Recognized component to UL61010-1
Other standards and guidelines	<ul style="list-style-type: none"> ■ IEC 60529: Degrees of protection through housing (IP code) ■ IEC 61158-2: Fieldbus standard ■ IEC 61326-1:2007: Electromagnetic compatibility (EMC requirements) ■ IEC 60068-2-27 and IEC 60068-2-6: Shock and vibration resistance ■ NAMUR International user association of automation technology in process industries

CSA GP	CSA General Purpose
---------------	---------------------

Certification PROFIBUS® PA	<p>The temperature transmitter is certified and registered by the PNO (PROFIBUS® user organization e.V.). The device thus meets all the requirements of the specifications following:</p> <ul style="list-style-type: none"> ■ Certified according to PROFIBUS® PA Profile 3.02 ■ The device can also be operated with certified devices of other manufacturers (interoperability)
-----------------------------------	--

Ordering information

Detailed ordering information is available from the following sources:

- In the **Product Configurator** on the Endress+Hauser website:
www.endress.com → Select country → Instruments → Select device → Product page function: Configure this product
- From your Endress+Hauser Sales Center:
www.endress.com/worldwide

Product Configurator - the tool for individual product configuration:

- Up-to-the-minute configuration data
- Depending on the device: Direct input of measuring point-specific information such as measuring range or operating language
- Automatic verification of exclusion criteria
- Automatic creation of the order code and its breakdown in PDF or Excel output format
- Ability to order directly in the Endress+Hauser Online Shop

Accessories

Type		Order code
Display TID10 for Endress+Hauser transmitters iTEMP® TMT8x, pluggable		TID10-xx
Field housing TA30x for Endress+Hauser head transmitter		TA30x-xx
DIN rail clip according to IEC 60715 (TH35) for head transmitter mounting		51000856
Standard - DIN mounting set (2 screws + springs, 4 securing disks and 1 display connector cover)		71044061
US - M4 mounting screws (2 screws M4 and 1 display connector cover)		71044062
Fieldbus connector (PROFIBUS® PA):	Threaded connection ■ M20x1.5 ■ NPT ½" ■ M20x1.5	Cable connecting thread ■ M12 ■ M12 ■ 7/8"
Stainless steel wall mounting bracket		71090687
Stainless steel pipe mounting bracket		71005802
		71089147
Stainless steel wall mounting bracket		71123339
Stainless steel pipe mounting bracket		71123342

The following accessories are contained in the scope of delivery:

- Multi-language Brief Operating Instructions as hard copy
- Supplementary documentation ATEX:
 - ATEX Safety instructions (XA), Control Drawings (CD)
- Operating Instructions on CD-ROM
- Mounting material for head transmitter
- Mounting material for field housings (pipe or wall mounting)

Documentation

- Operating instructions "iTEMP® TMT84" (BA00257R/09/en) on CD-ROM and associated Brief Operating Instructions "iTEMP® TMT84" (KA00258R/09/a2)
- Ex supplementary documentation:
 - ATEX II 1G Ex ia IIC: XA069R/09/a3
 - ATEX II 3G Ex nA II: XA073R/09/a3
 - ATEX II 3D Ex tD (iaD) A22: XA074R/09/a3
 - ATEX II 2(1)G Ex ia IIC: XA01012T/09/a3
 - ATEX II 2G Ex d IIC and ATEX II 2D Ex tb IIIC: XA01007T/09/a3
- Operating instructions "Display TID10" (BA262R/09/c4)
- Guidelines for planning and commissioning "PROFIBUS® DP/PA" (BA034S/04/en)

Instruments International

Endress+Hauser
Instruments International AG
Kaegenstrasse 2
4153 Reinach
Switzerland

Tel.+41 61 715 81 00
Fax+41 61 715 25 00
www.endress.com
info@ii.endress.com

Endress+Hauser 
People for Process Automation