

SINEAX VS46

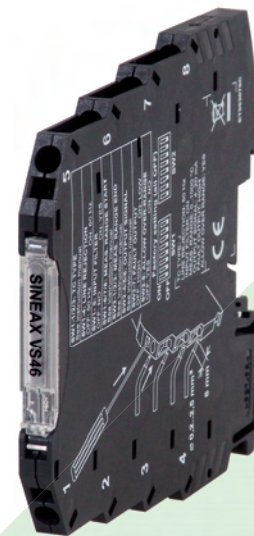
Signal Converter

Thermocouple converter



Features / Benefits

- Input: Thermocouples types: J, K, E, N, S, R, B, T
- Output: Current 0/4 ... 20, 20 ... 4/0 mA or voltage 0 ... 5/10, 10 ... 0 and 1 ... 5 V DC
solid state relay (SSR) for thermostat / alarm function
- 3-way galvanic isolation
- Spring-cage clamp connection
- Power bridging terminal – DIN rail bus connector
- Small dimensions (6.2 x 93.1 x 102.5 mm)
- Resolution of 14 bit
- Accuracy class 0.1%



General Data

| | |
|---------------------------|--|
| Power supply | 19.2 ... 30 V DC |
| Accuracy | Class: 0.1% Cold junction error: 1.5 °C max. |
| Status indicators (LED) | Fault State of the auxiliary output |
| Galvanic isolation | Power supply / input / output at 1500 V AC, digital |
| Hot swapping | Yes |
| Power consumption | 500 mW |
| A/D Converter | 14 bit |
| Current output protection | Approximately 25 mA |
| Security output | 102.5% of full scale value in case of over-range 105% of full scale value in case of improper functioning |
| Humidity | Up to 90% at + 40 °C (not condensing) |
| Housing | Terminal housing for mounting on 35 mm DIN 46277 |
| Frequency filter | 50 ... 60 Hz (settable) |
| DIP-Switch | – Input signals setup – Output signal setup |
| Processing | Floating point 32 bit |
| Dimensions | 6,2 x 93,1 x 102,5 mm (w x h x d) |
| Weight | 50 g |
| Operating temperature | – 20 ... + 65 °C |

| | |
|---------------|-------------------|
| Connections | Spring cage clamp |
| IP Protection | IP 20 |
| Conformity | CE |

Input Data

| | |
|---------------|--|
| Thermocouples | Types J, K, E, N, S, R, B, T Lower span: 100 °C Impedance: 10 MΩ |
|---------------|--|

Output Data

| | |
|--------------|---|
| Current: | 0 ... 20 mA, 4 ... 20 mA, 20 ... 0 mA and 20 ... 4 mA Higher load resistance: 500 Ω |
| Voltage | 0 ... 5 V DC, 1 ... 5 V DC, 0 ... 10 V DC and 10 ... 0 V DC Lower load resistance: 2 kΩ |
| Relay output | Applicable voltage 24 V AC nominal Current: 60 mA max. |

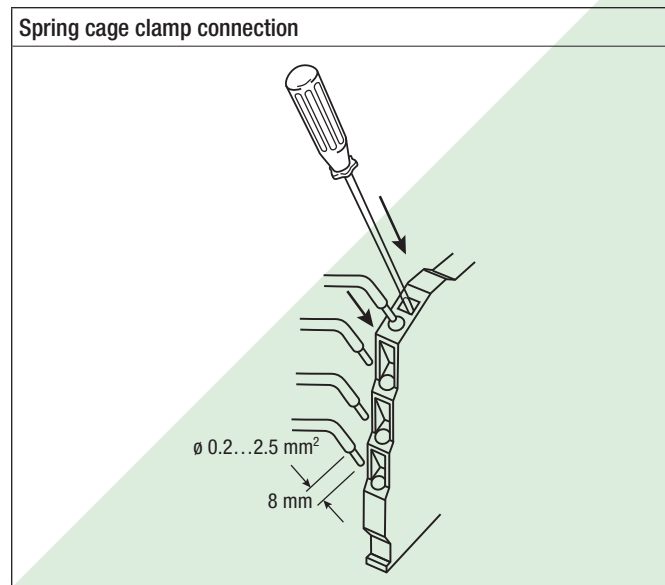
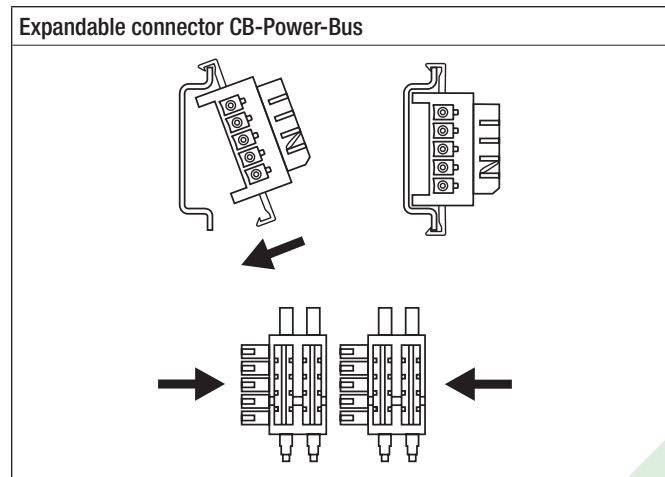
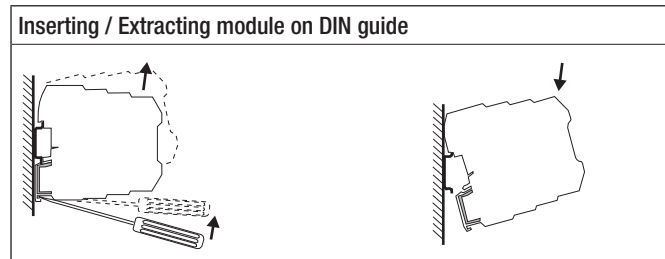
SINEAX VS46

Signal Converter

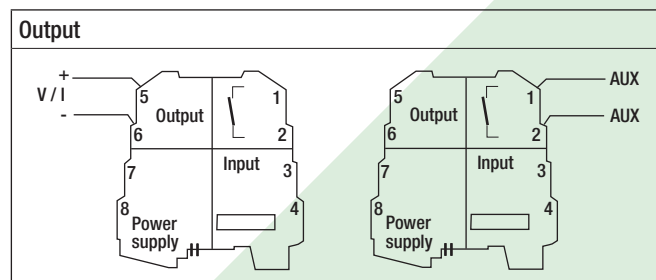
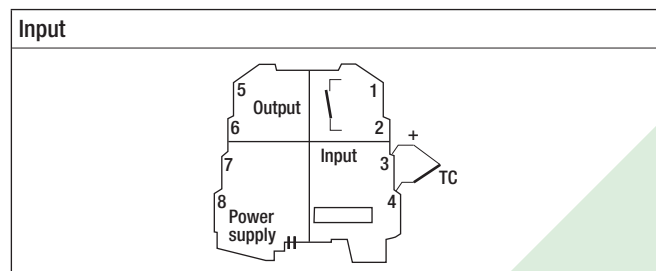
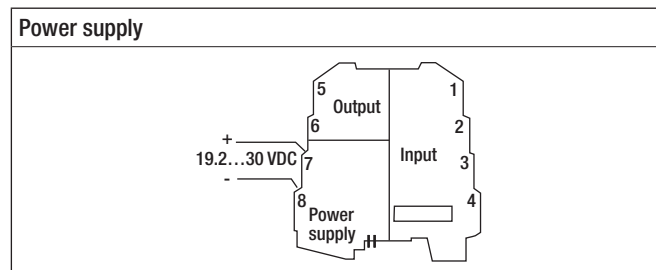
Order Codes

| Description | Code |
|--|---------|
| Thermocouple converter | 162 777 |
| Accessories | |
| CB-Power-Bus Expandable power supply connector | 162 826 |
| SINEAX VS70 Power supply module with surge protection | 162 818 |

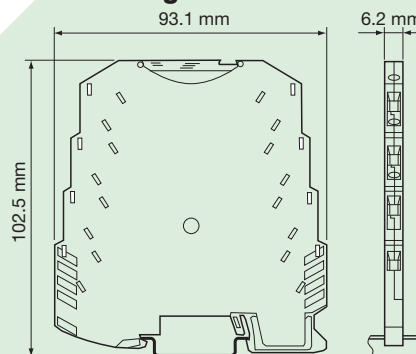
Installation



Electrical connections



Dimensional drawing



CAMILLE BAUER

Rely on us.

Camille Bauer Ltd
 Aargauerstrasse 7
 CH-5610 Wohlen / Switzerland
 Phone: +41 56 618 21 11
 Fax: +41 56 618 35 35
 e-mail: info@camillebauer.com
 www.camillebauer.com