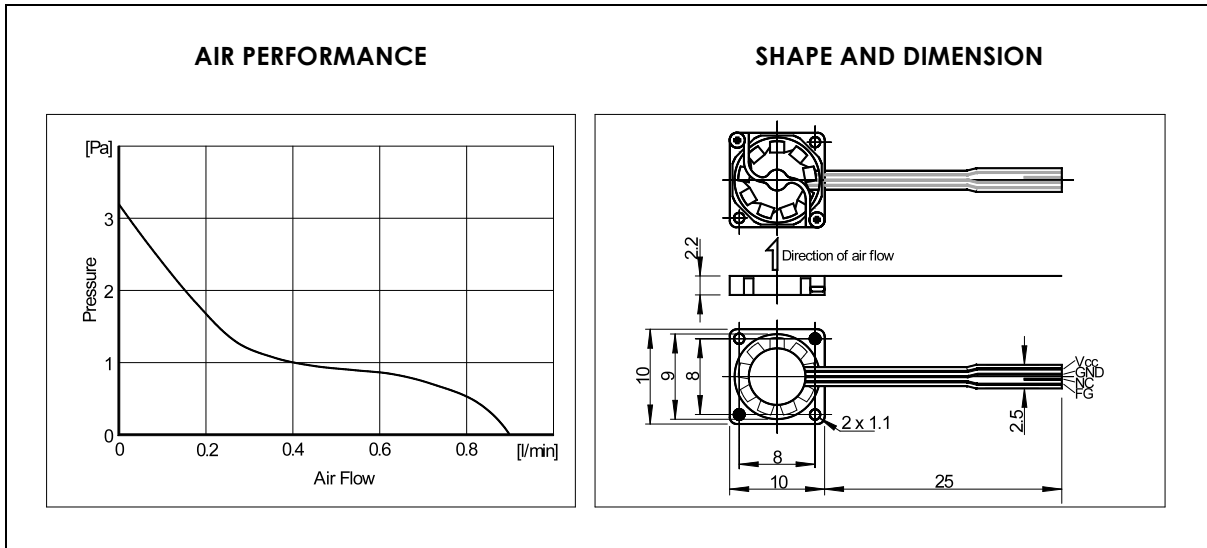


MF_10A03A

HIGH RELIABILITY MICRO FAN



PERFORMANCE (Preliminary!)

CE		MF_10A03A
Operating Voltage	[V]	3.0 ... 3.3 ... 3.6
Typ. Operating Current	[mA]	50
Max. Start Current	[mA]	100
Max. Air Flow	[l/min - m ³ /h]	0.9 – 0.054
Max. Air Pressure	[mmH ₂ O - Pa]	0.28 – 2.7
Typ. Noise @ 0.1m	[dB(A)]	16
Typ. Rotor Speed	[RPM]	13000
FG Output	[Imp./rev.]	3
Operating Temperature *)	[°C]	-10 (-40) ... +60
Life Expectancy L ₁₀ /MTBF	[h]	16000/50000@20°C
Bearing System		sleeve bearing
Weight	[g]	0.3
Packing Quantity	[PCs]	50 - 100 - 500 - 1000

*) Dates may be different at temperatures of lower than -10°C.

This **SEPA**[®] high-tech micro fan is suitable for special industrial or automotive use and has a remarkable air flow performance despite its very small dimensions of 10x10x2mm only. Thanks to the extremely low power input of a mere 0.17 W, this fan is highly suitable for battery-operated devices.

Further features of this fan are its robust and torsionally stiff housing, sleeve bearing with narrow tolerances, Polyimide film PCB (UL E44247) with connecting ends and absolute reliability due to a 12 hour-duty 100% burn-in.

ALARM OUTPUT

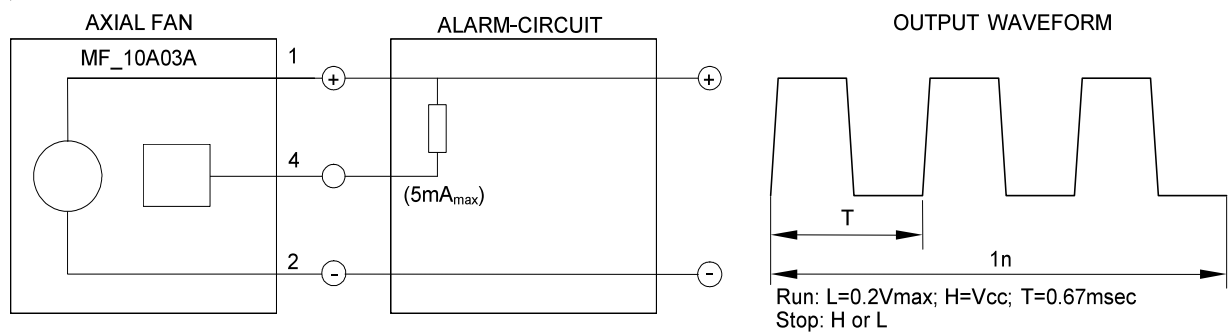
The **SEPA**® MF_10A03A includes a speed impulse output, which enables monitoring the correct function of the fan.

The pulse is like a rectangular wave, the frequency correlates to 3 x rotor speed. At blocked rotor the output signal could be L ($\leq 0.2V$) or H (V_{cc}).

IMPORTANT: The pulse output is *not* protected against short circuit and must not connect to GND or V_{cc} without series-resistor. A pull-up-resistor is needed.

Do not connect not used pulse output to GND or V_{cc} (insolate).

The MF_10A03A has flexible PCB wire ends for a connector MOLEX 51379-0495
or HRS FH19-4S-0.5SH
or JST 04FHZ-SM1-TB



• Order Information:

MF_10A03A **SEPA** micro fan 3VDC, sleeve bearing, FG, **CE**

501011010