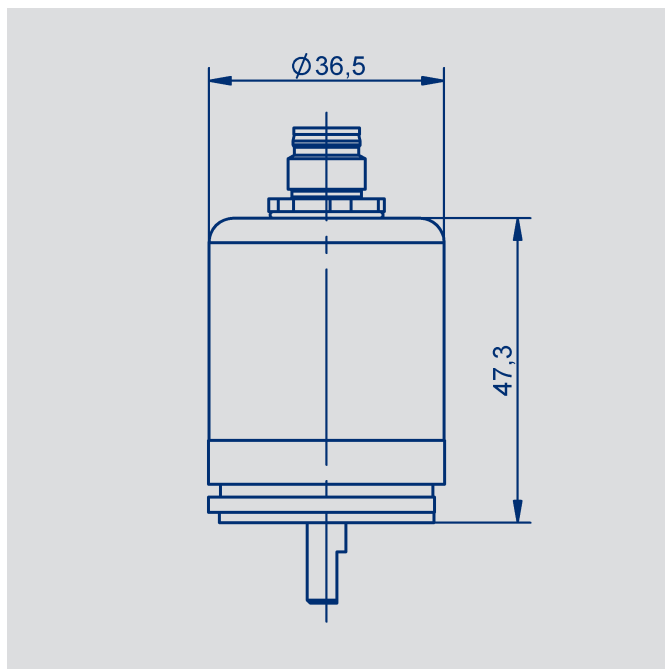


**NOVOHALL  
Rotary Sensor  
non-contacting**

Series RSB-3600  
Series RMB-3600



**Special features**

- Non-contacting, hall technology
- Measuring range up to 5760°
- Single- and multiturn
- True-Power-On system: counts turns even when not powered. Patented non-volatile technology does not require gears or batteries
- Solid shaft or hollow shaft
- Protection class IP67, IP6K9K
- Optimized for industrial and mobile applications
- Resolution 12 bit (singleturn) or up to 18 bit (multiturn)
- Absolute linearity up to  $\pm 0.03\%$
- One and multi-channel versions

**Applications**

- Mechanical engineering
  - Textile machinery
  - Packing machinery
  - Sheet metal and wire working machinery
- Medical appliances
- Mobile machinery
  - Industrial trucks
  - Construction machinery
  - Agricultural and forestry machinery
- Navy applications

**Non-contacting Rotary Sensor in very robust design including a double bearing system in a compact OD 36 mm full metal housing.**

The sensor is based on the Hall technology and the True-Power-On multiturn additionally utilizes the GMR technology (Giant Magneto Resistance) for measurements of up to 16 revolutions.

The heavy-duty version in IP6K9K ingress protection version is well suited for extreme environment applications including high bearing loads.

The semi-hollow shaft version with its integrated stator coupling obsoletes a costly

separate shaft coupling. Versions with an industry standard M12-connector or cable in different lengths are available.

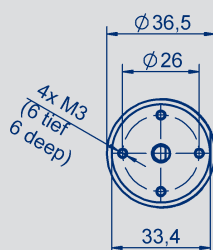
There is a wide variety of analog and digital electrical interfaces to choose from.

## Contents

<b>Dimension drawing</b>	3
<b>Mechanical data</b>	4
	5
<b>Singleturn RSB-3600</b>	6
Output Characteristics	
Technical data analog versions	7
Ordering specifications analog versions	8
Technical data digital versions	9
Ordering specifications digital versions	10
<b>Multiturn RSM-3600</b>	
Output Characteristics	
Technical data analog versions	11
Ordering specifications analog versions	13
Technical data digital versions	14
Ordering specifications digital versions	15
<b>Accessories</b>	
Shaft couplings	16
M12 connector system	17
Signal processing	18

## Dimension Drawing

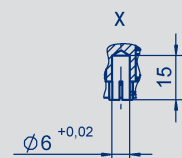
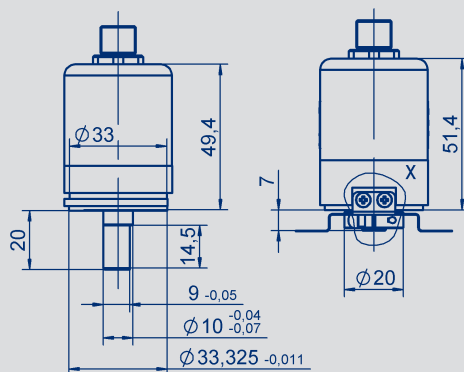
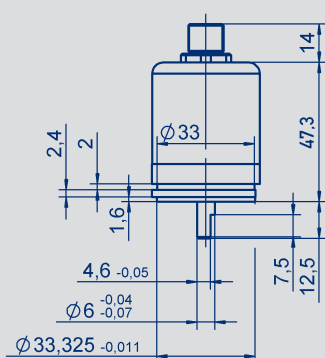
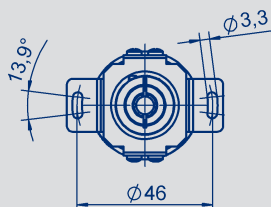
RSB/RMB-3601  
Ø 6 mm shaft



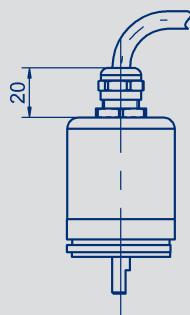
RSB/RMB-3624  
Ø 10 mm shaft heavy duty



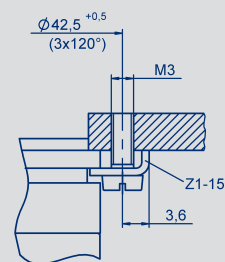
RSB/RMB-3607  
Ø 6 mm hollow shaft



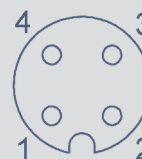
Einbaumaße für  
Kundenseitige Welle.  
Installation dimensions  
for mating shaft.



Mounting clamp

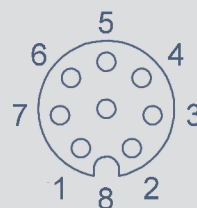


Pin assignment M12, 4 pin



A-coded

Pin assignment M12, 8 pin



A-coded

CAD data see  
[www.novotechnik.de/en/  
download/cad-data/](http://www.novotechnik.de/en/download/cad-data/)

## Mechanical Data

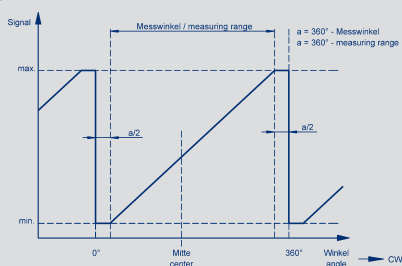
Description	Ø 6 mm shaft RSB-/RMB3601- - - - -	Ø 10 mm shaft heavy duty RSB-/RMB3624- - - - -	Ø 6 mm hollow shaft RSB-/RMB3607- - - - -
Material	Flange: anodized aluminum, AISiMgBi Cover: galvanized steel, St 12 1.0330 Shaft: stainless steel, X10CrNiS18-9 1.4305		Coupling: stainless steel, X10CrNi 18-8 1.4310
Electrical connections	Cable 4 x 0.5 mm <sup>2</sup> , AWG 20, shielded, cable connection, length 1 m, 3 m, 5 m, 10 m Cable 4 x 2 x 0.25 mm <sup>2</sup> , AWG 24, twisted pair, shielded, cable gland, length 1 m, 3 m, 5 m, 10 m Connector M12x1 4 pin / 8 pin		
<b>Mechanical Data</b>			
Dimensions	see dimension drawing		
Mounting	with 3 fixing clamps Z1-15 (included in delivery) or via frontal thread 4 x M3		Stator coupling
Mechanical travel	360 continuous		
Permitted operating speed (mechanical) *	12 000	6000	12 000 min <sup>-1</sup>
Bearing lifetime	100 million movements		
Permitted shaft load (axial / radial) static or dynamic	40 / 50	100 / 100	40 / 50 N
Torque @ RT 20 °C typ. **	0.3	3	0.5 Ncm
Weight (without connection)	ca. 100 g		
Vibration (IEC 60068-2-6)	5 ... 2000 A <sub>max</sub> = 0.75 a <sub>max</sub> = 20		Hz g
Shock (IEC 60068-2-27)	50 (6 ms) g		
Protection class (ISO 20653)			
housing side	IP67	IP6K9K	IP67
shaft side	IP65	IP67	IP65
Operating temperature	-30 ... +85 (connector), -40 ... +85 (cable), higher temperatures on request °C		
Operating humidity range	0 ... 98 (no condensation) % R.H.		

\*) Multiturn sensor RMB: permitted operating speed with valid output signal max. 800 min<sup>-1</sup>

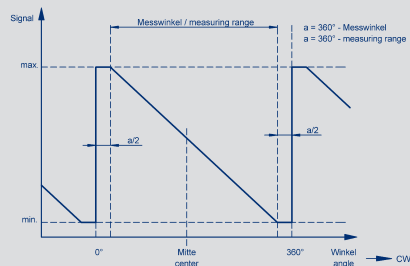
\*\*\*) Depending on the environmental temperature and standstill time, the necessary force for the initial operating of the shaft may increase

## Output Characteristics Singleturn

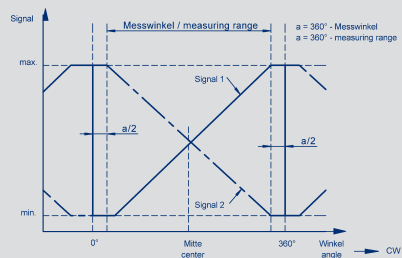
One-channel, cw



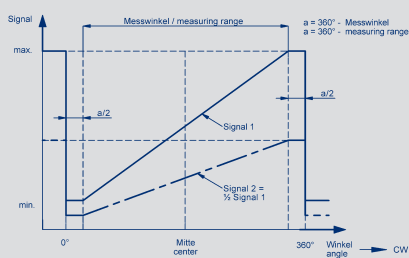
One-channel, ccw



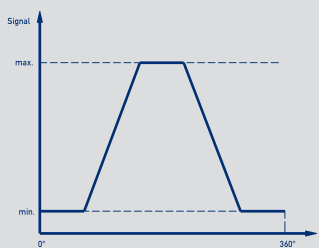
Two channels, crossed characteristics, channel 1 cw



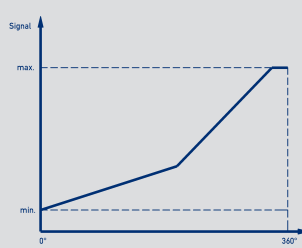
On request: Two channels, signal 2 = 0.5 x signal 1



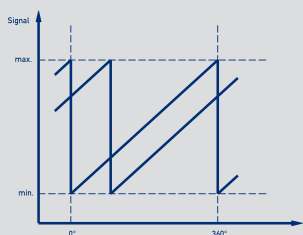
On request: Trapezoid output characteristics



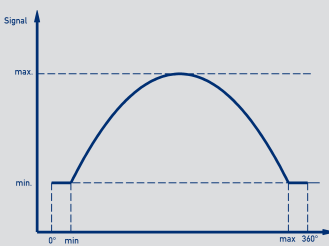
On request: Different gradients



On request: 2 offset output characteristics



On request: Parabolic output characteristic



**Technical Data**  
**Analog Versions**  
**- Voltage**  
**- Current**  
Singleturn RSB-3600

Type Designations	RSB-3601- ____ - 2 ____ - ____ Ratiometric	RSB-3601- ____ - 1 1 ____ - ____ Analog voltage	RSB-3601- ____ - 1 2 ____ - ____ Analog current	
<b>Electrical Data</b>				
Output signal	ratiometric to supply voltage 0.25 ... 4.75 V 0.5 ... 4.5 V (load $\geq 1$ k $\Omega$ )	0.1 ... 10 V (load $\geq 10$ k $\Omega$ )	4 ... 20 mA (burden $\leq 500$ $\Omega$ )	
Number of channels	1 / 2	1	1	
Update rate	typical 5			kHz
Resolution	12			Bit
Measuring range	0 ... 30 up to 0 ... 360 (10°-steps)			°
Absolute linearity at measuring range 360°	$\leq 0.8$			$\pm\%$ FS
Repeatability	$\leq 0.1$			°
Hysteresis	$\leq 0.1$			°
Temperature error at measuring range 360°	$\leq 0.6$	$\leq 1.6$	$\leq 1.9$	$\pm\%$ FS
Supply voltage $U_b$	5 (4.5 ... 5.5)	24 (18 ... 30)	24 (18 ... 30)	VDC
Current consumption (w/o load)	typical 15 (typ. 8 on request) per channel			mA
Reverse voltage	yes, supply lines			
Short circuit protection	yes (vs. GND and supply voltage)			
Insulation resistance (500 VDC)	$\geq 10$			M $\Omega$
Cross-section cable	4 pole: 0.5 (AWG 20), 8 pole: 0.25 (AWG 24)			mm <sup>2</sup>
<b>Environmental Data</b>				
MTTF (DIN EN ISO 13849-1 parts count method, w/o load, wc)	356 (one-channel) 210 (per channel) partly redundant 388 (per channel) fully redundant	107	105	years years years
Functional safety	If you need assistance in using our products in safety-related systems, please contact us			
EMC compatibility	EN 61000-4-2 Electrostatic discharge (ESD) 4 kV, 8 kV EN 61000-4-3 Electromagnetic fields 10 V/m EN 61000-4-4 Fast transients (Burst) 1 kV EN 61000-4-6 Conducted disturbances, induced by RF-fields 10 V eff. EN 61000-4-8 Power frequency magnetic fields 30 A/m EN 55016-2-3 Radiated disturbances class B			

**Connection assignment**

**One-channel versions**

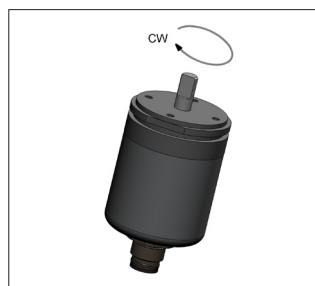
Signal	Cable code B4_	Connector M12 code FM4	Connector with cable (see accessories)
Supply voltage $U_b$	BN	pin 1	BN
Signal output	GN	pin 2	WH
GND	WH	pin 3	BU
Not assigned	YE	pin 4	BK
Shield	shield	shield	-

**Partly redundant versions**

Signal	Cable code B4_	Connector M12 code FM4	Connector with cable (see accessories)
Supply voltage $U_b$	BN	pin 1	BN
Signal output 1	GN	pin 2	WH
GND	WH	pin 3	BU
Signal output 2	YE	pin 4	BK
Shield	shield	shield	-

**Fully redundant versions**

Signal	Cable code B8_	Connector M12 code FM8	Connector with cable (see accessories)
GND 1	WH	pin 1	WH
Supply voltage $U_b$	BN	pin 2	BN
Signal output 1	GN	pin 3	GN
Not assigned	YE	pin 4	YE
Signal output 2	GY	pin 5	GY
Not assigned	PK	pin 6	PK
GND 2	BU	pin 7	BU
Supply voltage $U_b$	RD	pin 8	RD



When the shaft marking is pointing towards the flattening on the housing flange, the sensor output is near of the electrical center position.

**Ordering Specifications**  
**Analog Versions**  
**- Voltage**  
**- Current**  
Singleturn RSB-3600

**Ordering specifications**

Preferred types printed in bold

**Supply voltage**

- 1: 24 V (18 ... 30 V)
- 2: 5 V (4.5 ... 5.5 V)

**Output signal at supply voltage = 24 V**

- 1: 0.1 ... 10 V
- 2: 4 ... 20 mA

**Output signal at supply voltage = 5 V**

- 1: 0.25 ... 4.75 V ratiometric to supply voltage
- 2: 0.5 ... 4.5 V ratiometric to supply voltage

**Output characteristics**

- 1: Rising cw
- 2: Rising ccw
- 3: Crossed outputs channel 1 rising cw (partly redundant)
- 4: Crossed outputs channel 1 rising cw (fully redundant)

**Electrical connection cable**

Single and partly redundant, cable, 4 pole, shielded

**B41:** L = 1 m

**B43:** L = 3 m

B45: L = 5 m

B40: L = 10 m

Fully redundant, cable, 8 pole, shielded

**B81:** L = 1 m

**B83:** L = 3 m

B85: L = 5 m

B80: L = 10 m

**Electrical connection connector**

**FM4:** M12x1, 4 pin, single and partly redundant

**FM8:** M12x1, 8 pin, fully redundant

**R S B - 3 6 0 1 - 6 3 6 - 2 1 1 - F M 4**

**Measuring range**

03: Measuring range 0° ... 30° min.

...

**06, 12, 18, 24, 36**

...

36: Measuring range 0° ... 360° max.  
other angles on request

**Number of channels**

6: Single (1x supply voltage; 1x output)

7: Partly redundant (1x supply voltage ; 2x output) (only supply voltage = 5 V)

8: Fully redundant (2x supply voltage; 2x output) (only supply voltage = 5 V)

**Series**

RSB-3600 (Singleturn)

**Mechanical version**

**3601:** Synchro flange, shaft Ø 6 mm x 12.5 mm

**3624:** Synchro flange, heavy duty version, shaft Ø 10 mm x 20 mm

**3607:** Round flange, hollow shaft Ø 6 mm

Other flange and shaft designs on request

**Project item**  
Please contact your local distributor or  
our technical support  
Phone (+49) 711 4489-250  
support@novotechnik.de

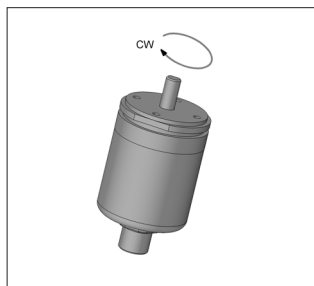
**Technical Data**  
**Incremental Interface**  
Singleturn RSB-3600

<b>Type Designations</b>	<b>RSB-36_ _-2 _-_-51_ _-_-</b> <b>Supply voltage 5 VDC</b>	
<b>Electrical Data</b>		
Outputs	A+ / A- B+ / B- Z+ / Z-	
Level	RS-422, TTL-compatible	
Length Z-pulse	Distance between 2 edges A / B	
Pulses per revolution	1024, other resolutions see page 12	ppr
Counts per revolution (after quadrature)	4096	
Option Low Speed		
- Minimum edge separation	8	µs
- Minimum input frequency of counter input	32	kHz
- Maximum operational speed	1 800	min <sup>-1</sup>
Option High Speed		
- Minimum edge separation	0.5	µs
- Minimum input frequency of counter input	500	kHz
- Maximum operational speed	Limited due to rotation speed of bearing (see mechanical data)	
Measuring range	360	°
Absolute linearity	≤ 1	±% FS
Repeatability	≤ 0.1	°
Hysteresis	≤ 0.7	°
Temperature error	≤ 0.375	±% FS
Supply voltage Ub	5 (4.5 ... 5.5)	VDC
Current consumption (w/o load)	typical 20	mA
Reverse voltage	yes, supply lines and outputs	
Short circuit protection	yes, (vs. GND and supply voltage)	
Ohmic load at outputs	≥ 120 per channel A / B / Z	Ω
Insulation resistance (500 VDC)	≥ 10	MΩ
Cross-section Cable	0.25 (AWG 24)	mm <sup>2</sup>
<b>Environmental Data</b>		
MTTF (DIN EN ISO 13849-1 parts count method, w/o load, wc)	246	years
Functional safety	If you need assistance in using our products in safety-related systems, please contact us	
EMC compatibility	EN 61000-4-2 Electrostatic discharge (ESD) 4 kV, 8 kV EN 61000-4-3 Electromagnetic fields 10 V/m EN 61000-4-4 Fast transients (Burst) 1 kV EN 61000-4-6 Conducted disturbances, induced by RF fields 10 V eff. EN 61000-4-8 Power frequency magnetic fields 30 A/m EN 55016-2-3 Radiated disturbances class B	



**Connection assignment**

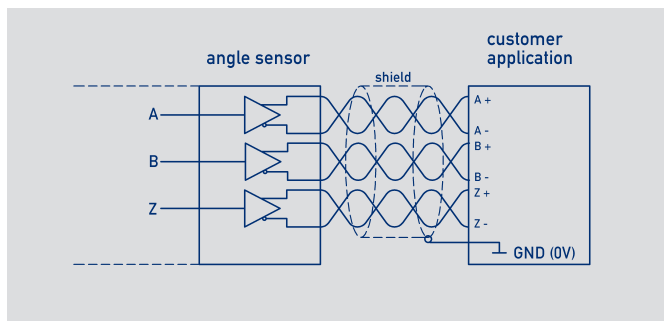
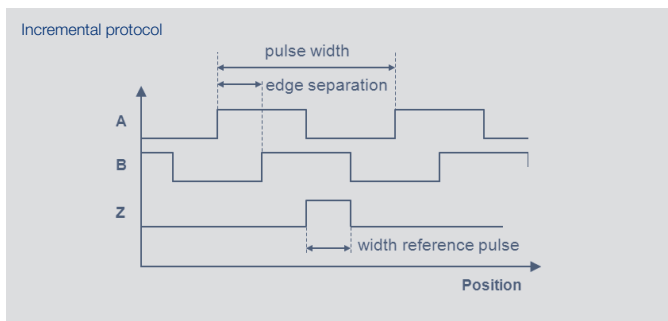
Signal	Cable code B8_	Connector M12 code FM8	Connector with cable (see accessories)
GND	WH	pin 1	WH
Supply voltage Ub	BN	pin 2	BN
A+	GN	pin 3	GN
A-	YE	pin 4	YE
B+	GY	pin 5	GY
B-	PK	pin 6	PK
Z+	BU	pin 7	BU
Z-	RD	pin 8	RD



When the shaft marking is pointing away from the flattening on the housing flange, the sensor is at reference pulse (Z).  
Rotational direction cw: A leads before B.



## Technical Data Incremental Interface Singleturn RSB-3600

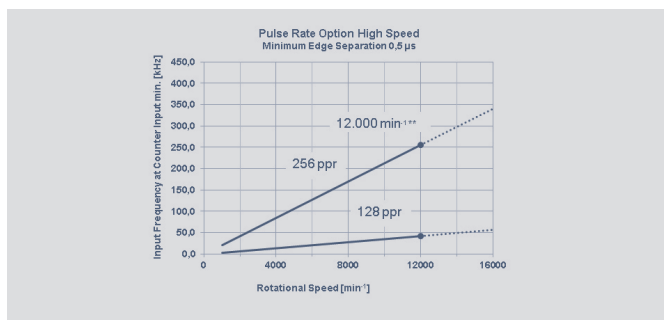
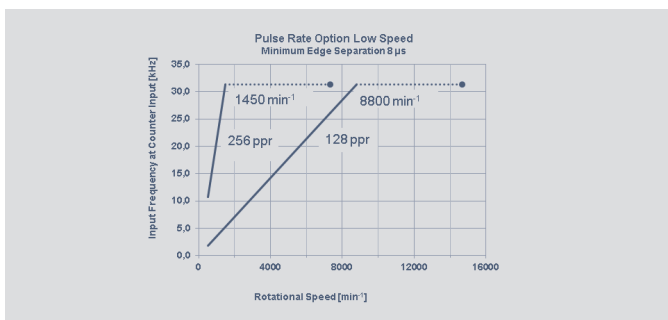


### Electrical Data

Pulses per revolution	1024	512	256	128	ppr
Counts per revolution (after quadrature)	4096	2048	1024	512	
Option Low Speed					
- Minimal edge separation	8				$\mu\text{s}$
- Minimum input frequency of counter input	32	32	32*	32*	kHz
- Maximum operational speed	1800	3600	7200**	14400**	$\text{min}^{-1}$
Option High Speed					
- Minimal edge separation	0.5				$\mu\text{s}$
- Minimum input frequency of counter input	500	500	500*	105*	kHz
- Maximum operational speed	see note **				

\*) The requirement for the minimum input frequency of counter input is reduced at lower speed (see charts below)

\*\*) Maximum operating speed is limited by maximum rotation speed of bearing (see Mechanical Data)



**Ordering Specifications**  
**Digital Versions**  
**- Incremental**  
Singleturn RSB-3600

**Ordering specifications**

Preferred types printed in bold

**Interface**

**5: Incremental interface A / B / Z**

**Interface parameters for Incremental Interface**

**Low Speed Mode (Minimum edge separation 8 µs)**

**15: 5 V (4.5 ... 5.5 V) supply voltage, output RS422, TTL-compatible**

**High Speed Mode (Minimum edge separation 0.5 µs)**

**10: 5 V (4.5 ... 5.5 V) supply voltage, output RS422, TTL-compatible**

24 V supply voltage on request.

UWV signals instead of ABZ signals for motor commutation on request

Absolute position at Power On (Power on Burst) on request

High side and low side outputs on request.

**Electrical connection cable**

**B81: L = 1 m**

**B83: L = 3 m**

B85: L = 5 m

B80: L = 10

**Electrical connection connector**

**FM8: M12x1**

**R S B - 3 6 0 1 - 2 1 2 - 5 1 5 - F M 8**

**Series**

RSB-3600 (Singleturn)

**Resolution Incremental interface 5 \_ \_**

**12: 1024 ppr - 4096 counts (after quadrature)**

11: 512 ppr - 2048 counts (after quadrature)

10: 256 ppr - 1024 counts (after quadrature)

09: 128 ppr - 512 counts (after quadrature)

Other resolutions on request

**Interface**

**2: Digital Interface**

**Mechanical version**

**3601: Synchro flange, shaft Ø 6 mm x 12.5 mm**

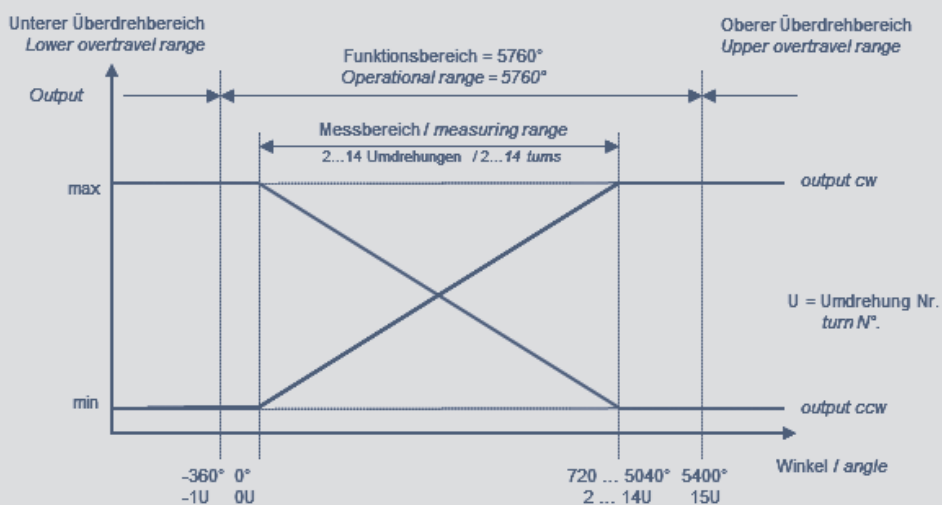
**3624: Synchro flange, heavy duty version, shaft Ø 10 mm x 20 mm**

**3607: Round flange, hollow shaft Ø 6 mm**

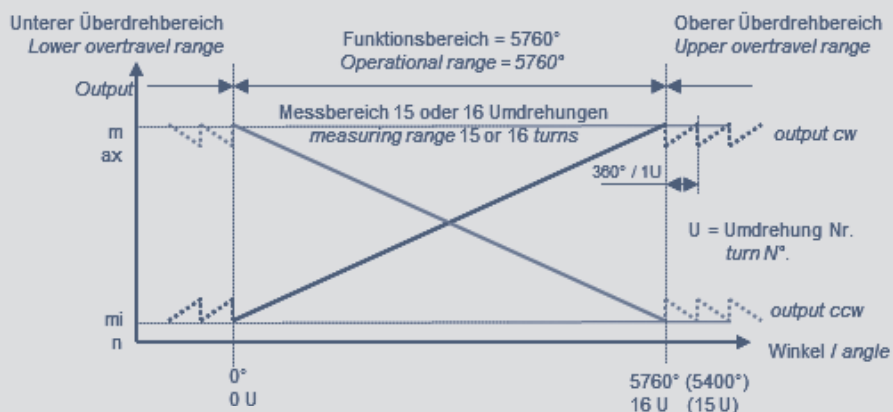
Other flanges and shaft designs on request

## Output Characteristics Multiturn

Output signals measuring range 2 ... 14 turns



Output signals measuring range 15 ... 16 turns



**Technical Data**  
**Analog Versions**  
**- Voltage**  
**- Current**  
Multiturn RMB-3600

Type Designations	RMB-3601- _ _ _ -2 _ _ - _ _ _ Ratiometric	RMB-3601- _ _ _ -11 _ - _ _ _ Analog voltage	RMB-3601- _ _ _ -12 _ - _ _ _ Analog current	
<b>Electrical Data</b>				
Output signal	ratiometric (load $\geq 10\text{ k}\Omega$ )	0.1 ... 10 V (load $\geq 10\text{ k}\Omega$ )	4 ... 20 mA (burden $\leq 500\ \Omega$ )	
Number of channels	1 / 2	1 / 2	1	
Resolution	16			bit
Start time	typical 10			ms
Response time	$\leq 2$			ms
Measuring range	0 ... 720 up to 0 ... 5760 (360°-steps)			°
Linearity	see table below			
Repeatability	$\leq 0.5$			°
Hysteresis	$\leq 1$			°
Temperature error	$\leq 0.15$	$\leq 0.31$	$\leq 0.625$	$\pm\%$ FS
Supply voltage $U_b$	5 (4.5 ... 5.5)	24 (18 ... 30)	24 (18 ... 30)	VDC
Current consumption (w/o load)	typical 30			mA
Reverse voltage	yes, supply lines and outputs			
Short circuit protection	yes (vs. GND and supply voltage)			
Insulation resistance (500 VDC)	$\geq 10$			M $\Omega$
Cross-section cable	0.5 (AWG 20)			mm <sup>2</sup>
<b>Environmental Data</b>				
MTTF (DIN EN ISO 13849-1 parts count method, w/o load, wc)	175 one-channel 175 (per channel) redundant	184 one-channel 184 (per channel) redundant	186 one-channel	years years
Functional safety	If you need assistance in using our products in safety-related systems, please contact us			
EMC compatibility	EN 61000-4-2 Electrostatic discharge (ESD) 4 kV, 8 kV EN 61000-4-3 Electromagnetic fields 10 V/m EN 61000-4-4 Fast transients (Burst) 1 kV EN 61000-4-6 Conducted disturbances, induced by RF fields 10 V eff. EN 61000-4-8 Power frequency magnetic fields 30 A/m EN 55016-2-3 Radiated disturbances class B			

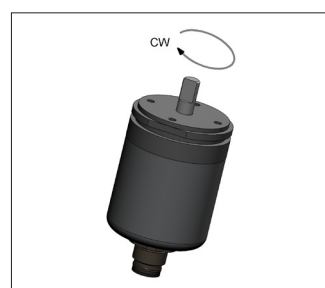


<b>Linearities</b>																
Measuring range	2	3	4	5	6	7	8	9	10	11	12	13	14	15	16	Turns
Absolute linearity max.	0.5	0.417	0.375	0.350	0.333	0.321	0.313	0.306	0.300	0.295	0.292	0.288	0.286	0.283	0.281	$\pm\%$ FS
Independent linearity typ.	0.250	0.167	0.125	0.100	0.083	0.071	0.063	0.056	0.050	0.045	0.042	0.039	0.036	0.033	0.031	$\pm\%$ FS
Independent linearity max.	0.350	0.267	0.225	0.200	0.183	0.171	0.163	0.156	0.150	0.145	0.142	0.138	0.136	0.133	0.131	$\pm\%$ FS

**Copnnection assignment**

<b>One-channel versions</b>			
Signal	Cable code B4_	Connector M12 code FM4	Connector with cable (see accessories)
Supply voltage $U_b$	BN	pin 1	BN
Signal output	GN	pin 2	WH
GND	WH	pin 3	BU
Not assigned	YE	pin 4	BK
Shield	shield	shield	-

<b>Redundant versions</b>			
Signal	Cable code B4_	Connector M12 code FM4	Connector with cable (see accessories)
Supply voltage $U_b$	BN	pin 1	BN
Signal output 1	GN	pin 2	WH
GND	WH	pin 3	BU
Signal output 2	YE	pin 4	BK
Shield	shield	shield	-



When the shaft marking is pointing towards the flattening on the housing flange, the sensor is located on an integer turn position.

**Ordering Specifications**  
**Analog Versions**  
**- Voltage**  
**- Current**  
Multiturn RMB-3600

**Ordering specifications**

Preferred types printed in bold

**Supply voltage**

- 1: 24 V (18 ... 30 V)
- 2: 5 V (4.5 ... 5.5 V)

**Output signal at supply voltage = 5 V**

- 1: 0.25 ... 4.75 V ratiometric
- 2: 0.5 ... 4.5 V ratiometric

**Output signal at supply voltage = 24 V**

- 1: 0.1 ... 10 V
- 2: 4... 20 mA (only one-channel)

**Output characteristics**

- 1: Rising cw
  - 2: Rising ccw
  - 3: Crossed outputs channel 1 rising cw (redundant)
- Other output characteristics on request

**Electrical connection cable**

- B41: L = 1 m
- B43: L = 3 m
- B45: L = 5 m
- B40: L = 10 m

**Electrical connection connector**

- FM4: M12x1

**R M B - 3 6 0 1 - 0 1 0 - 2 1 1 - F M 4**

**Series**

RMB-3600 (Multiturn)

**Mechanical version**

- 3601: Synchro flange, shaft  $\varnothing$  6 mm x 12.5 mm
  - 3624: Synchro flange, heavy duty version, shaft  $\varnothing$  10 mm x 20 mm
  - 3607: Round flange, hollow shaft  $\varnothing$  6 mm
- Other flange and shaft designs on request

**Number of turns for output characteristic**

From 002 = 2 turns up to 016 = 16 turns, increment 1 turn

**003, 006, 010, 016**

Other measuring ranges on request

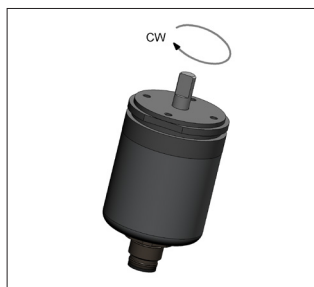
**Technical Data**  
**Digital Versions**  
**- SSI**  
Multiturn RMB-3600

<b>Type designations</b>	<b>RMB-36_ _-2_ _-44 _ - _ _ _</b> Supply voltage 24 VDC
<b>Electrical Data</b>	
Protocol	SSI
Inputs	RS422-compatible, CLK-lines via optocoupler galvanically isolated
Monoflop time (tm)	20 ±1 <span style="float:right">µs</span>
Coding	Gray, binary
Update rate (internal)	1 <span style="float:right">kHz</span>
Resolution	16 or 18 across the entire measuring range <span style="float:right">Bit</span>
Measuring range	see ordering specifications
Absolute linearity	14 turns: ≤ 0.036 <span style="float:right">±% FS</span> 16 turns: ≤ 0.031 <span style="float:right">±% FS</span>
Repeatability	≤ 0.5 <span style="float:right">°</span>
Hysteresis	≤ 1 <span style="float:right">°</span>
Temperature error	≤ 0.1 <span style="float:right">±% FS</span>
Supply voltage Ub	24 (10 ... 32), (5 V on request) <span style="float:right">VDC</span>
Current consumption (w/o load)	typical 10 <span style="float:right">mA</span>
Reverse voltage	yes, supply lines and outputs
Short circuit protection	yes (vs. GND, max. 1 min)
Ohmic load at outputs	≥ 120 <span style="float:right">Ω</span>
Maximum clock rate	1 <span style="float:right">MHz</span>
Insulation resistance (500 VDC)	≥ 10 <span style="float:right">MΩ</span>
Cross-section cable	0.25 (AWG 24) <span style="float:right">mm<sup>2</sup></span>
<b>Environmental Data</b>	
MTTF (DIN EN ISO 13849-1 parts count method, w/o load, wc)	173 <span style="float:right">Years</span>
Functional safety	If you need assistance in using our products in safety-related systems, please contact us
EMC compatibility	EN 61000-4-2 Electrostatic discharge (ESD) 4 kV, 8 kV EN 61000-4-3 Electromagnetic fields 10 V/m EN 61000-4-4 Fast transients (Burst) 1 kV EN 61000-4-6 Conducted disturbances, induced by RF fields 10 V eff. EN 61000-4-8 Power frequency magnetic fields 30 A/m EN 55016-2-3 Radiated disturbances class B



**Connection assignment**

Signal	Cable code B8_	Connector M12 code FM8	Connector with cable (see accessories)
GND	WH	pin 1	WH
Supply voltage Ub	BN	pin 2	BN
CLK +	GN	pin 3	GN
CLK -	YE	pin 4	YE
Data +	GY	pin 5	GY
Data -	PK	pin 6	PK
Do not connect	BU	pin 7	BU
Do not connect	RD	pin 8	RD



When the shaft marking is pointing towards the flattening on the housing flange, the sensor is located on an integer turn position.

**Ordering Specifications**  
**Digital Versions**  
Multiturn RMB-3600

**Ordering specifications**

Preferred types printed in bold

**Interface**

**4: Synchronous Serial Interface (SSI)**

**Interface parameters SSI Interface**

- 41: SSI 16 bit, Gray code, rising cw**
- 43: SSI 25 bit (18 bit data), Gray code, rising cw
- 45: SSI 16 bit, binary code, rising cw
- 47: SSI 25 bit (18 bit data), binary code, rising cw

**Electrical connection cable**

- B81: L = 1 m**
- B83: L = 3 m**
- B85: L = 5 m
- B80: L = 10 m

**Electrical connection connector**

**FM8: M12x1**

**R M B - 3 6 0 1 - 2 1 4 - 4 4 1 - F M 8**

**Series**

RMB-3600 (Multiturn)

**Mechanical version**

- 3601: Synchro flange, shaft  $\varnothing$  6 mm x 12.5 mm**
- 3624: Synchro flange, heavy duty version, shaft  $\varnothing$  10 mm x 20 mm**
- 3607: Round flange, hollow shaft  $\varnothing$  6 mm**
- Other flanges and shaft designs on request

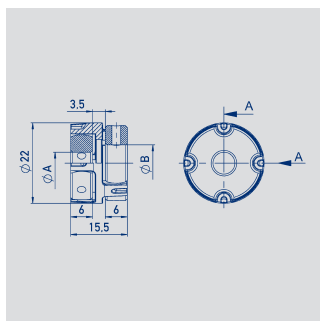
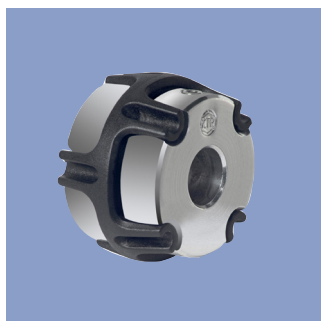
**Number of turns for output characteristic**

- 14: 14 turns = 5040°, measuring range controlled**
- 16: 16 turns = 5760°, measuring range not controlled

**Interface**

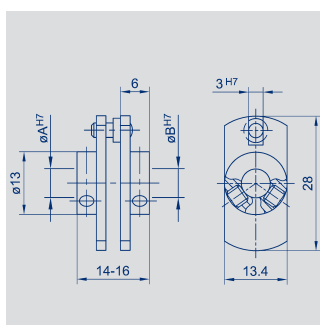
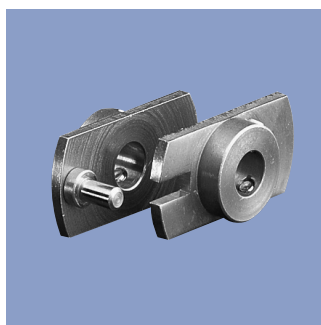
**2: Digital interface**

## Shaft couplings



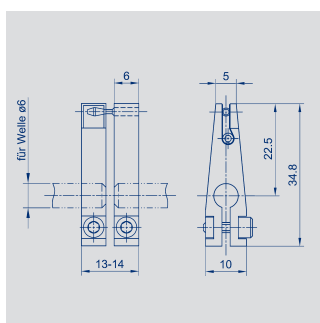
### Shaft coupling for 6 up to 10 mm shaft diameters, backlash-free, double cardanic

Material	Aluminum, PEEK		
Max. torque	1 Nm		
Operating temperature	-40 ... +160° C		
Max. displacements	radial 0.1 mm, angular 0.45 °		
Mounting	2 threaded pins with internal hexagon		
<b>Type</b>	<b>ØA</b>	<b>ØB</b>	<b>P/N</b>
Z-106-G6	6	6	103910
Z-106-G-6,35	6	6,35	103912
Z-106-G10	6	10	103913



### Fork coupling for 6 mm shaft diameters, low backlash

Material	stainless steel, ground driving pin		
Max. displacement	1 mm		
Mounting	2 fillister head screws M3 each with internal hexagon. Angle screwdriver SW 1.5 in delivery included.		
<b>Type</b>	<b>ØA</b>	<b>ØB</b>	<b>P/N</b>
Z-104-G-6	6	6	005690

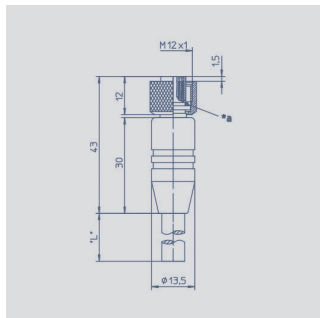


### Fork coupling for 6 mm shaft diameters, backlash-free

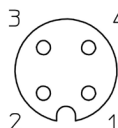
Material	anodized aluminum, black, driving pin and spring hardened		
Max. displacement	1 mm		
Max. transferable torque	5 Ncm		
Mounting	1 fillister head screw M3 each with internal hexagon. Angle screwdriver SW 2.5 in delivery included.		
<b>Type</b>	<b>P/N</b>		
Z-105-G-6	005691		



## Connector System M12

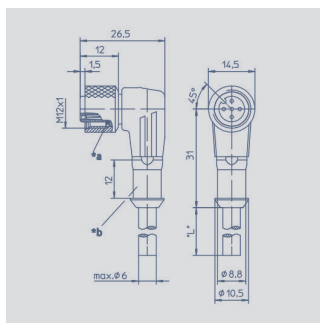
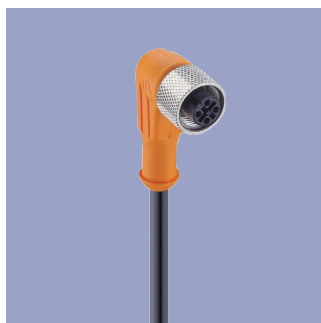


Pin assignment  
1 = brown  
2 = white  
3 = blue  
4 = black



**M12x1 Mating female connector, 4-pin, straight, A-coded, with molded cable, shielded, IP67, open ended**

Connector housing	Plastic PA	
Cable sheath	PUR; Ø = max. 6 mm, -25 °C...+80 °C (moved) -50 °C...+80 °C (fixed)	
Wires	PP, 0.34 mm <sup>2</sup>	
<b>Length</b>	<b>Type</b>	<b>P/N</b>
2 m	EEM 33-32	005600
5 m	EEM 33-62	005609
10 m	EEM 33-97	005650

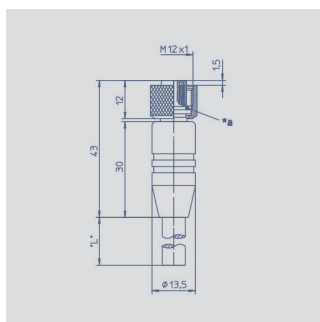


Pin assignment  
1 = brown  
2 = white  
3 = blue  
4 = black

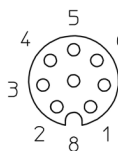


**M12x1 Mating female connector, 4-pin, angled, A-coded, with molded cable, shielded, IP67, open ended**

Connector housing	Plastic PA	
Cable sheath	PUR; Ø = max. 6 mm, -25 °C...+80 °C (moved) -50 °C...+80 °C (fixed)	
Wires	PP, 0.34 mm <sup>2</sup>	
<b>Length</b>	<b>Type</b>	<b>P/N</b>
2 m	EEM 33-33	005601
5 m	EEM 33-63	005610
10 m	EEM 33-99	005696

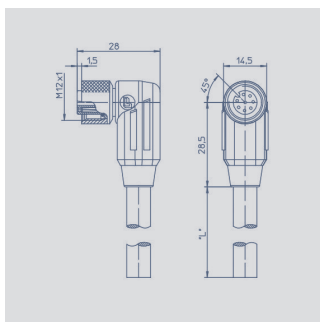
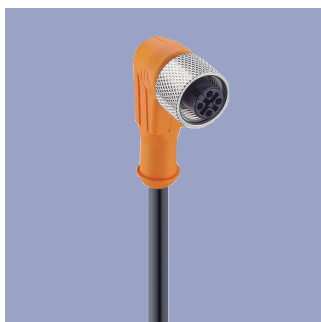


Pin assignment  
1 = white  
2 = brown  
3 = green  
4 = yellow  
5 = grey  
6 = pink  
7 = blue  
8 = red

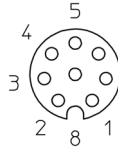


**M12x1 Mating female connector, 8-pin, straight, A-coded, with molded cable, shielded, IP67, open ended**

Connector housing	Plastic PA	
Cable sheath	PUR; Ø = max. 8 mm, -25 °C...+80 °C (moved) -50 °C...+80 °C (fixed)	
Wires	PP, 0.25 mm <sup>2</sup>	
<b>Length</b>	<b>Type</b>	<b>P/N</b>
2 m	EEM 33-86	005629
5 m	EEM 33-90	005635
10 m	EEM 33-92	005637



Pin assignment  
1 = white  
2 = brown  
3 = green  
4 = yellow  
5 = grey  
6 = pink  
7 = blue  
8 = red



**M12x1 Mating female connector, 8-pin, angled, A-coded, with molded cable, shielded, IP67, open ended**

Connector housing	Plastic PA	
Cable sheath	PUR; Ø = max. 8 mm, -25 °C...+80 °C (moved) -50 °C...+80 °C (fixed)	
Wires	PP, 0.25 mm <sup>2</sup>	
<b>Length</b>	<b>Type</b>	<b>P/N</b>
2 m	EEM 33-87	005630
5 m	EEM 33-91	005636
10 m	EEM 33-93	005638

**IP67** Protection class to DIN EN 60529

**UL** UL - approved

Very good Electromagnetic Compatibility (EMC) and shield systems

Very good resistance to oils, coolants und lubricants

Suited for applications in dragchains

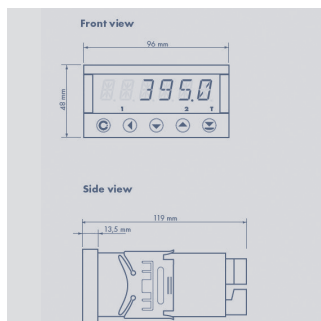
**Note:** The protection class is valid only in locked position with its plugs. The application of these products in harsh environments must be checked in particular cases.

## Multifunctional Measuring Device with Display

Novotechnik  
Messwertaufnehmer OHG  
Postfach 4220  
73745 Ostfildern (Ruit)  
Horbstraße 12  
73760 Ostfildern (Ruit)  
Telefon +49 711 4489-0  
Telefax +49 711 4489-118  
info@novotechnik.de  
www.novotechnik.de



© 03/2023  
Printed in Germany.



### Special features

- Supply voltage 10 ... 30 VDC, 80 ... 250 V DC or AC
- high accuracy
- direct connection of potentiometric and standardized signals
- adjustable supply voltage for sensors 5 ... 24 V
- Temperature coefficient 100 ppm/K
- optional RS 232, RS 485, analog output, limited switch
- complete data see separate [data sheet MAP-4000](#)

### Ordering specifications

#### Number comparator relays

0: none  
2: 2 relays  
4: 4 relays

#### Analog output

0: no analog output  
1: analog output present

#### Interface

0: no interface  
1: RS 232  
2: RS 485

M A P - 4 0 1 0 - 0 0 0 - 1 0 1

Series

#### Supply voltage

00: 10 ... 30 V AC/DC  
10: 80 ... 250 V AC

#### Adjustable supply voltage (5 ... 24 V / max. 1,2 W)

1: with supply voltage

#### Display colour

1: red

#### Data storage (only with interface)

0: not storage  
1: RTC storage  
2: FAST storage

The specifications contained in our datasheets are intended solely for informational purposes. The documented specification values are based on ideal operational and environmental conditions and can vary significantly depending on the actual customer application. Using our products at or close to one or more of the specified performance ranges can lead to limitations regarding other performance parameters. It is therefore necessary that the end user verifies relevant performance parameters in the intended application. We reserve the right to change product specifications without notice.