

SUPERFINISH

INNOVATION

μ

modular • flexible • economical • universal

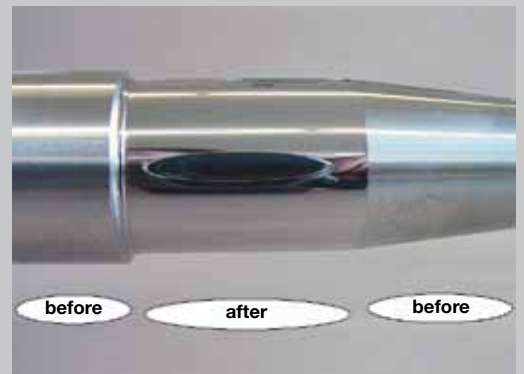
Bandfinisher KG50



Technology-benefits

The optimized surface produces less friction and therefore improves the wearing, the durability, the noise development and the energy expenditure.

This kind of surface improvement is simple – compared to other principles – process-safe and economical.



SBM control box manual
for manual finishing of individual parts and small series



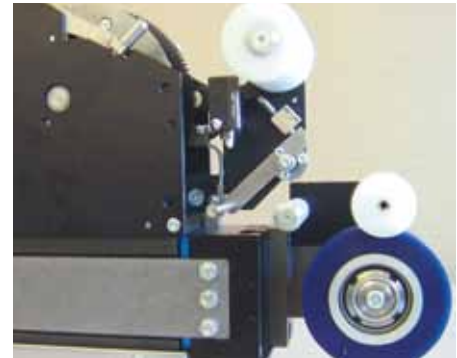
SBA control box automatic
for time-regulated cut-in-finishing of individual parts and small series

Bandfinisher KG50 – Technical datas

Oscillation rate:	300 – 1400 strokes/min.
Oscillation path:	Standard +/- 1 mm optional : +/- 0,5; +/- 1,5; +/- 2 mm
Automated tape feed:	10 – 100 mm/min.
Pressing-on move:	Standard 40 mm; optional : 70, 100 mm
Pressing-on force:	50 – 300 N (1 – 6 bar); optional: 80 – 480 N
Pressing-on roll:	max. 50 mm, one-sided arranged bearing
Pressing-on roll hardness:	Standard 65 ShA; optional: 35, 50, 90 ShA
Control voltage:	24 VDC
Weight:	14,5 kg

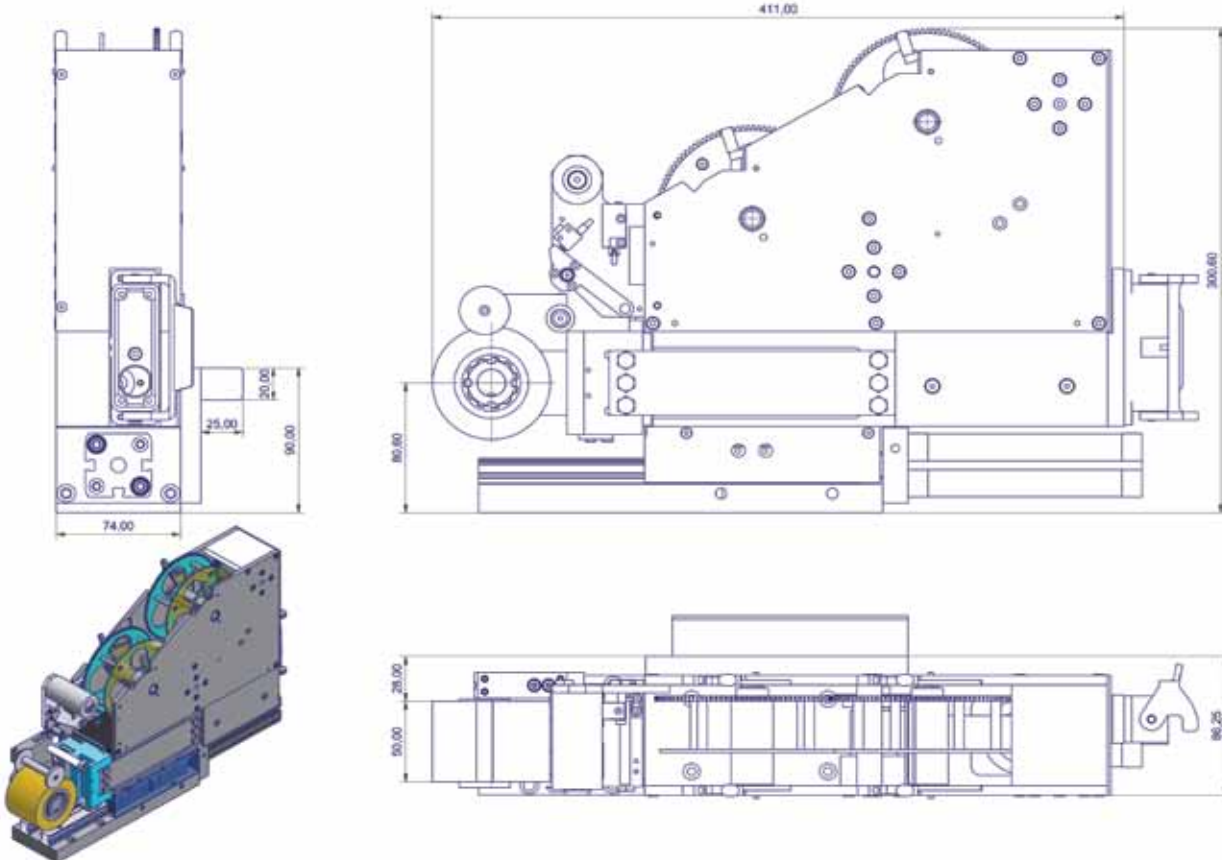
Anschlüsse

Electric:	100 – 260 VAC, 50/60 Hz, 6 A (L, N, PE)
Pneumatic:	1 x 6 bar



Options

- Machine device for direct assembly with sensors
- Special pressing-on roll



SUPERFINISH – a company of Thielenhaus Technologies



Thielenhaus Technologies GmbH
 Schwesterstrasse 50
 D-42285 Wuppertal
 Phone: +49 (0) 202 - 481-0
 info@thielenhaus.com
 www.thielenhaus.com



Thielenhaus Microfinish Corp.
 42925 W. Nine Mile Road
 Novi, MI 48375, U.S.A.
 Phone: +1 (248) 349 - 9450
 info@thielenhaus.us
 www.thielenhaus.us



Thielenhaus Machinery (Shanghai)
 Jiangtian Dong Lu 92, Building D
 Songjiang Industrial Zone
 201613 Shanghai P.R. China
 Phone: +86 (21) 6775 - 3157
 www.thielenhaus.cn



Superfinish Innovation AG
 St. Gallerstrasse 52
 CH-9548 Matzingen
 Phone: +41 (0)52 376 26 20
 info@superfinish.ch
 www.superfinish.ch